

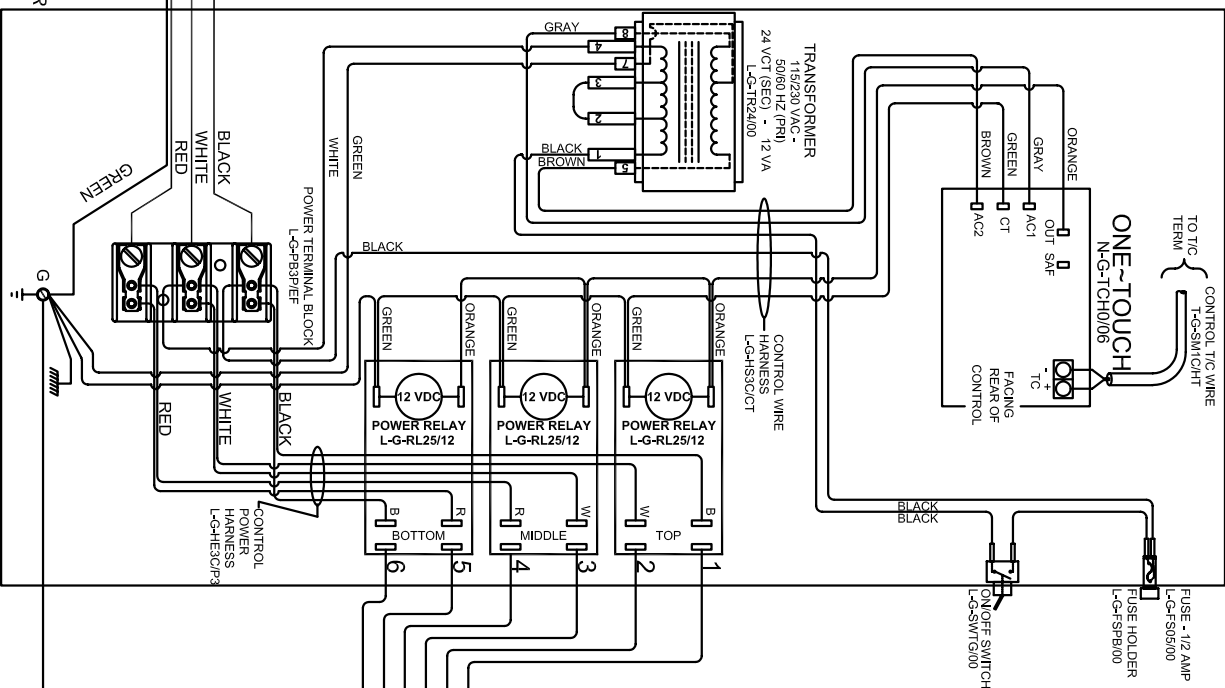
NOTES:

Control Wire:
16 AWG, 105°C
Power Wire:
10 AWG, 150°C

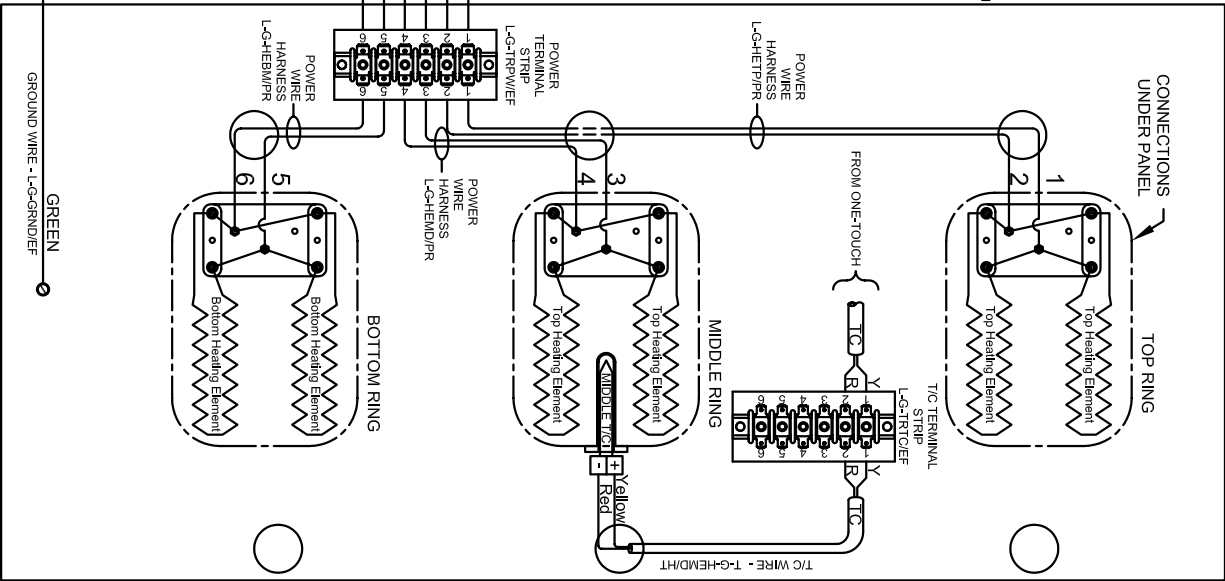
Industrial & commercial applications may require the installation of a LOCKOUT/TAGOUT device to prevent the Kiln from operating during maintenance.

This Kiln is recommended to be wired & connected to an approved U. L. & NEC configured receptacle controlled with a disconnect switch and properly fused according to the KW load on the Kin Nameplate. L&L Kin Mfg., Inc., also recommends fuses rather than circuit breakers to prevent nuisance tripping.

LOOKING INSIDE CONTROL PANEL



LOOKING AT OUTSIDE OF ELEMENT COVER PANEL



Model SM28T-3-208-3P

VOLTAGE	208 / 3 / 50-60		
WATTS	14,340		
FULL LOAD AMPS	L1	L2	L3
	39.8	39.8	39.8
POWER SUPPLY	FUSE	WIRE	
	50A	6 AWG	
ELEMENTS (E-S-28TT/22)	QTY	OHMS	
	4	17.6	
(E-S-28TB/32)	2	17.0	

Model SM28T-3-220-3P

VOLTAGE	220 / 3 / 50-60		
WATTS	15,060		
FULL LOAD AMPS	L1	L2	L3
	39.5	39.5	39.5
POWER SUPPLY	FUSE	WIRE	
	50A	6 AWG	
ELEMENTS (E-S-28TT/42)	QTY	OHMS	
	4	18.8	
(E-S-28TB/42)	2	18.2	

Model SM28T-3-240-3P

VOLTAGE	240 / 3 / 50-60		
WATTS	16,620		
FULL LOAD AMPS	L1	L2	L3
	40.0	40.0	40.0
POWER SUPPLY	FUSE	WIRE	
	50A	6 AWG	
ELEMENTS (E-S-28TT/32)	QTY	OHMS	
	4	20.2	
(E-S-28TB/32)	2	19.6	

PLUG
208/240 VAC 3Ø
NEMA 15-50P
P/N L-G-PC50/3P

SAFETY SWITCH BY CUSTOMER
Connect to
240 Volt, 2 Wire, Single Phase - or
220 Volt, 2 Wire, Single Phase - or
208 Volt, 2 Wire, Single Phase
50 or 60 Cycles.

DRAWING NO. **K330-152** SHEET OF **1/1** REV **A**

LJ Kinetics
888 SMARTOWN RD
SWIDESBORO, NJ 08885
PHONE: (866) 294-0077
FAX: (866) 294-0070

TITLE **MODEL SM28T-3 SCHOOL-MASTER KILN
3 PHASE WIRING DIAGRAM**

SCALE **1 = 8** DATE **4/9/10** DRAWN BY **BMM**

FILE NAME **\K330-152.dwg** MADE FROM **\KSH100405.dwg**

REV #	DATE	DESCRIPTION
1		INITIAL DESIGN
2		REVISED FOR COMMENTS
3		REVISED FOR COMMENTS
4		REVISED FOR COMMENTS
5		REVISED FOR COMMENTS