

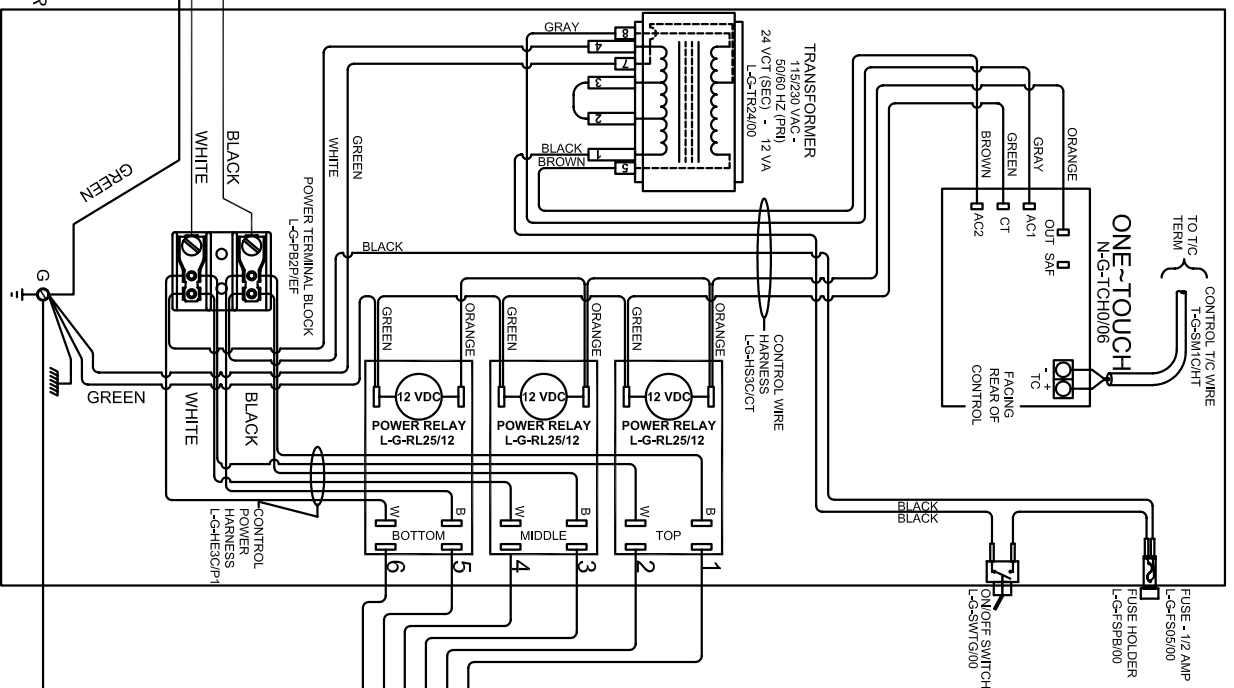
**NOTES:**

Control Wire:  
16 AWG, 105°C  
Power Wire:  
10 AWG, 150°C

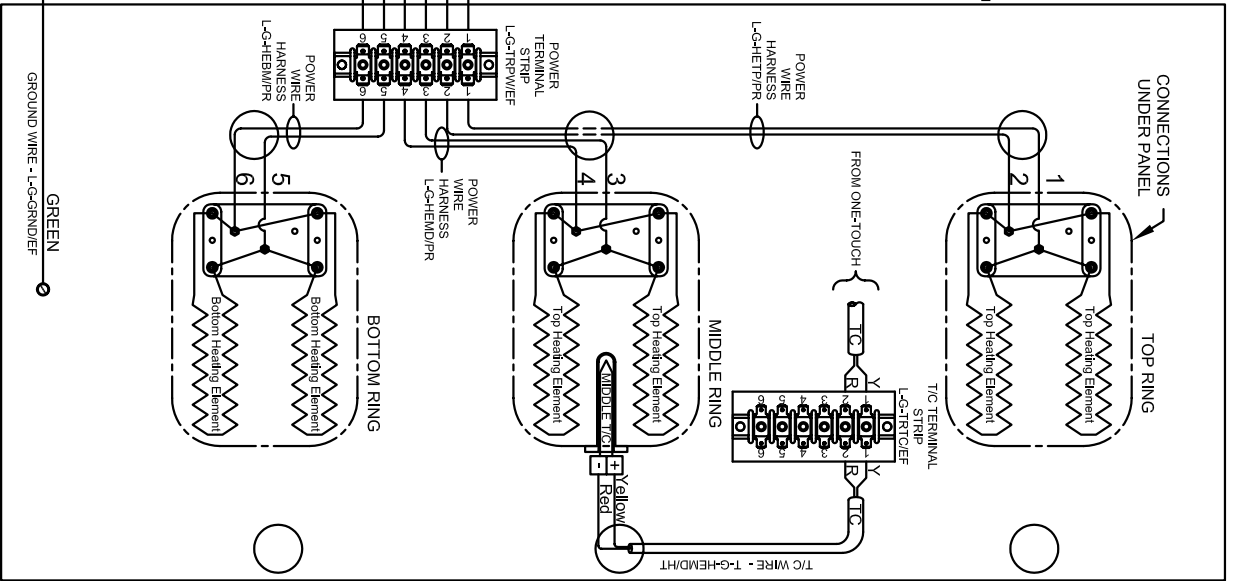
Industrial & commercial applications may require the installation of a LOCKOUT/TAGOUT device to prevent the Kiln from operating during maintenance.

This Kiln is recommended to be wired & connected to an approved U. L. & NEC configured receptacle controlled with a disconnect switch and properly fused according to the KW load on the Kin Nameplate. L&L Kin Mfg., Inc., also recommends fuses rather than circuit breakers to prevent nuisance tripping.

LOOKING INSIDE CONTROL PANEL



LOOKING AT OUTSIDE OF ELEMENT COVER PANEL



**Model SM28T-3-208**

VOLTAGE	208 / 1 / 50-60		
WATTS	9,980		
FULL LOAD AMPS	L1	L2	L3
	48.0	48.0	X
POWER SUPPLY	FUSE	WIRE	
	60A	6 AWG	
ELEMENTS (E-S-28TT/21)	QTY	OHMS	
(E-S-28TB/21)	4	25.3	
	2	24.5	

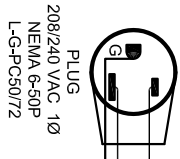
**Model SM28T-3-220**

VOLTAGE	220 / 1 / 50-60		
WATTS	10,560		
FULL LOAD AMPS	L1	L2	L3
	48.0	48.0	X
POWER SUPPLY	FUSE	WIRE	
	60A	6 AWG	
ELEMENTS (E-S-28TT/41)	QTY	OHMS	
(E-S-28TB/41)	4	26.8	
	2	25.9	

**Model SM28T-3-240**

VOLTAGE	240 / 1 / 50-60		
WATTS	11,520		
FULL LOAD AMPS	L1	L2	L3
	48.0	48.0	X
POWER SUPPLY	FUSE	WIRE	
	60A	6 AWG	
ELEMENTS (E-S-28TT/31)	QTY	OHMS	
(E-S-28TB/31)	4	29.3	
	2	28.3	

**SAFETY SWITCH BY CUSTOMER**  
Connect to  
240 Volt, 2 Wire, Single Phase - or  
220 Volt, 2 Wire, Single Phase - or  
208 Volt, 2 Wire, Single Phase  
50 or 60 Cycles.



DRAWING NO. **K330-151**

SHEET OF **1/1**

REV **A**

**LJKINS**  
hokkins.com

TITLE **MODEL SM28T-3 SCHOOL-MASTER KILN 1 PHASE WIRING DIAGRAM**

SCALE **1 = 8**

DATE **4/8/10**

DRAWN BY **BML**

FILE NAME **\K330-151.dwg**

MADE FROM **\KSH100403.dwg**

REVISION	DATE	DESCRIPTION