

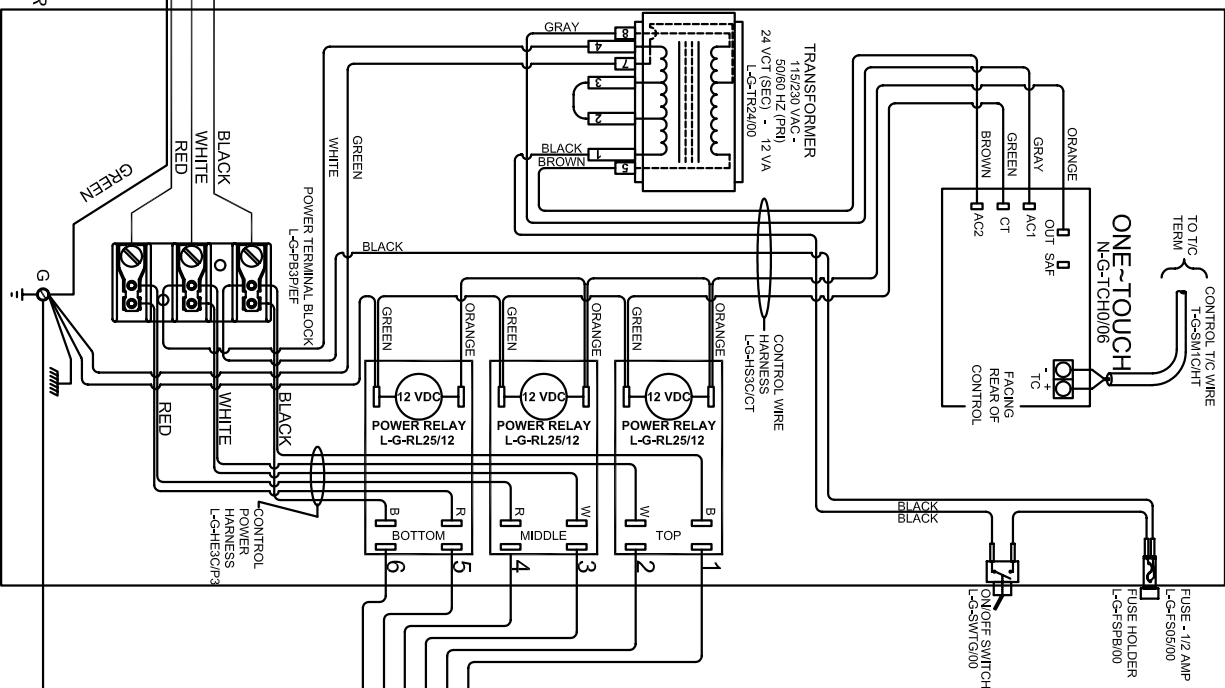
NOTES:

Control Wire:
16 AWG, 105°C
Power Wire:
10 AWG, 150°C

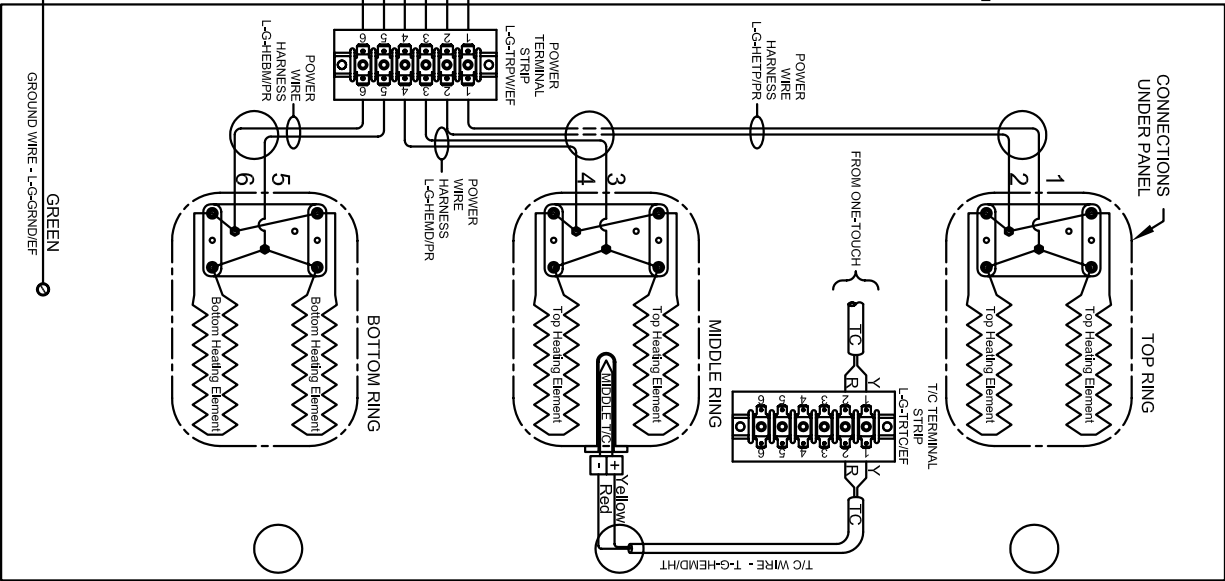
Industrial & commercial applications may require the installation of a LOCKOUT/TAGOUT device to prevent the Kiln from operating during maintenance.

This Kiln is recommended to be wired & connected to an approved U. L. & NEC configured receptacle controlled with a disconnect switch and properly fused according to the KW load on the Kin Nameplate. L&L Kin Mfg., Inc., also recommends fuses rather than circuit breakers to prevent nuisance tripping.

LOOKING INSIDE CONTROL PANEL



LOOKING AT OUTSIDE OF ELEMENT COVER PANEL



Model SM23T-208-3P

VOLTAGE	208 / 3 / 50-60		
WATTS	11,000		
FULL LOAD AMPS	L1	L2	L3
	30.5	30.5	30.5
POWER SUPPLY	FUSE	WIRE	
	40A	8 AWG	
ELEMENTS	QTY	OHMS	
(E-S-23TT/22)	4	25.3	
(E-S-23TB/22)	2	24.5	

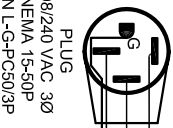
Model SM23T-220-3P

VOLTAGE	220 / 3 / 50-60		
WATTS	11,400		
FULL LOAD AMPS	L1	L2	L3
	29.9	29.9	29.9
POWER SUPPLY	FUSE	WIRE	
	40A	8 AWG	
ELEMENTS	QTY	OHMS	
(E-S-23TT/42)	4	26.8	
(E-S-23TB/42)	2	25.9	

Model SM23T-240-3P

VOLTAGE	240 / 3 / 50-60		
WATTS	11,520		
FULL LOAD AMPS	L1	L2	L3
	27.7	27.7	27.7
POWER SUPPLY	FUSE	WIRE	
	40A	8 AWG	
ELEMENTS	QTY	OHMS	
(E-S-23TT/32)	4	29.3	
(E-S-23TB/32)	2	28.3	

SAFETY SWITCH BY CUSTOMER
Connect to
240 Volt, 2 Wire, Single Phase - or
220 Volt, 2 Wire, Single Phase - or
208 Volt, 2 Wire, Single Phase
50 or 60 Cycles.



DRAWING NO. **K326-152** SHEET OF **1/1** REV **A**

LJKINS PHONE: (866) 294-0077 FAX: (866) 294-0070

TITLE **MODEL SM23T SCHOOL-MASTER KILN 3 PHASE WIRING DIAGRAM**

SCALE **1 = 8** DATE **4/9/10** DRAWN BY **BMM**

FILE NAME **\K326-152.dwg** MADE FROM **\KSH100404.dwg**