

USE WITH FOLLOWING KILN ASSEMBLIES:

MODEL	WIRING DIAGRAM
J236	K038-110
J2936	K044-110
X2336	K114-110

SEE KILN WIRING DIAGRAM

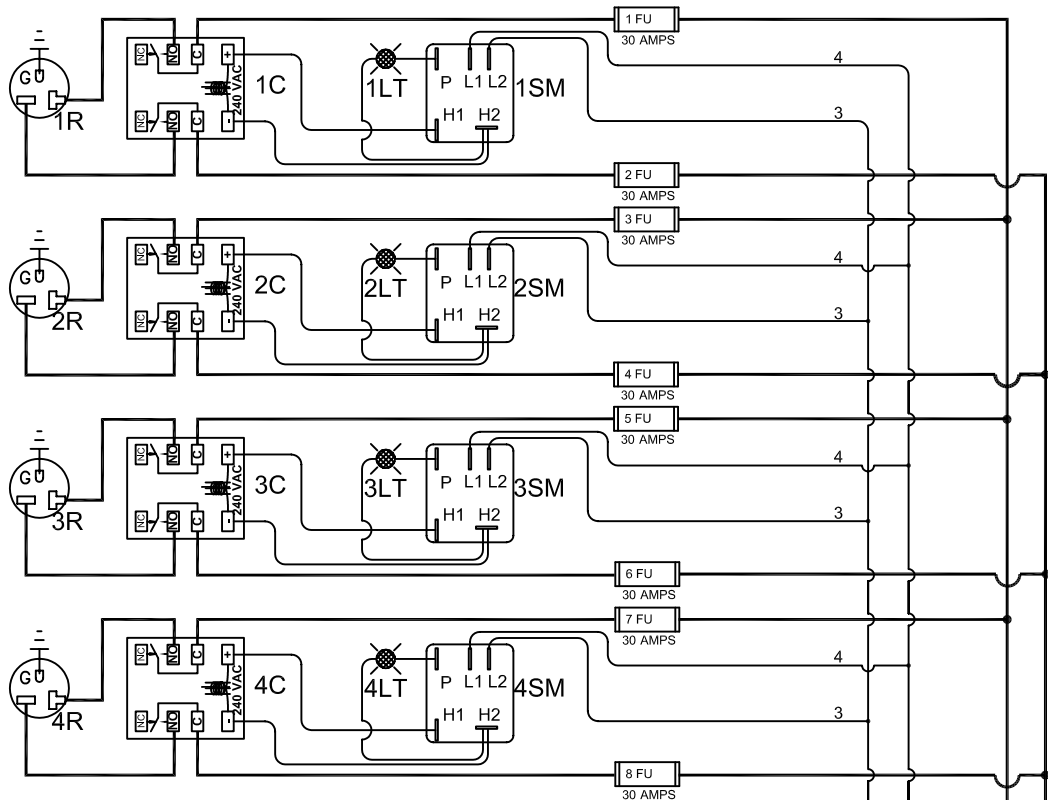
PLUG KILN SECTION CAPS INTO RESPECTIVE RECEPTACLES

NOTES:

Control Wire:
14 AWG, SEWF, 150°C
Power Wire:
14 AWG, SEWF, 150°C

Industrial & commercial applications may require the installation of a LOCKOUT/TAGOUT device to prevent the Kiln from operating during maintenance.

This Kiln is recommended to be wired & connected to an approved U. L. & NEC configured disconnect switch and properly fused according to the KW load load specification listed on the Kiln Nameplate. L&L Kiln Mfg., Inc., also recommends fuses rather than circuit breakers to prevent nuisance tripping.

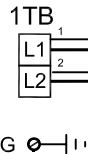


SAFETY SWITCH BY CUSTOMER
Connect to
240 Volt, 2 Wire, Single Phase - or
220 Volt, 2 Wire, Single Phase - or
208 Volt, 2 Wire, Single Phase
50 or 60 Cycles.

SEE KILN WIRING DIAGRAM FOR POWER REQUIREMENTS

SWITCHING CAPACITY = 80 AMPS MAXIMUM

DAWSON KILN SITTER/TIMER



ELECTRICAL PARTS LIST

SYMBOL	QTY	DESCRIPTION	CUSTOMER PART NO.
1TB	1	POWER CONNECTION BOARD	L-J-PBLG/02
1TAS	1	DAWSON KILN SITTER	N-G-LT30/00
1TAS	1 (OPT)	50 HZDAWSON KILN SITTER	N-G-LT30/50
SM	4	INPUT ZONE SWITCHES	L-J-INF0/30
LT	4	INPUT ZONE PILOT LIGHTS	L-G-PIL0/00
C	4	POWER RELAYS	L-G-RL25/30
R	4	SINGLE RECEPTACLE NEMA 6-20R	L-J-SR20/00
FU(B)	4	ELEMENT BRANCH CIRC FUSEBLOCKS	L-G-FH30/20
FU(S)	8	ELEMENT BRANCH CIRCUIT FUSES	L-G-FS30/NL

REV#	DATE	REVISION DESCRIPTION
A	6/17/09	REPLACED UL MARK WITH MET CERTIFIED MARK & ADDED NEW LOGO
0	9/30/02	MISC CORRECTIONS FOR RELEASE

Hotkilns.com
505 SHARPTOWN ROAD
SWEDESBORO, NJ 08085
PHONE: (856) 294-0077
FAX: (856) 294-0070

CONTROL WIRING DIAGRAM WITH MANUAL INPUT SWITCHES
For 1 Phase Kiln with (4) 20 Amp Sections
Branch Circuit Fusing / No Power Bottom

DRAWN BY	REV. CODE	DRAWING NO.
G.W.L.	A	K262-105
DATE	SCALE	SHEET NO.
1/25/01	1 = 8	1 OF 1
CHK	APP	
G.D.L.		

FILE NAME: L:\EVLKILN\WIRING\GCTL\K262-105.dwg
MADE FROM: USERIES\K043-101.dwg