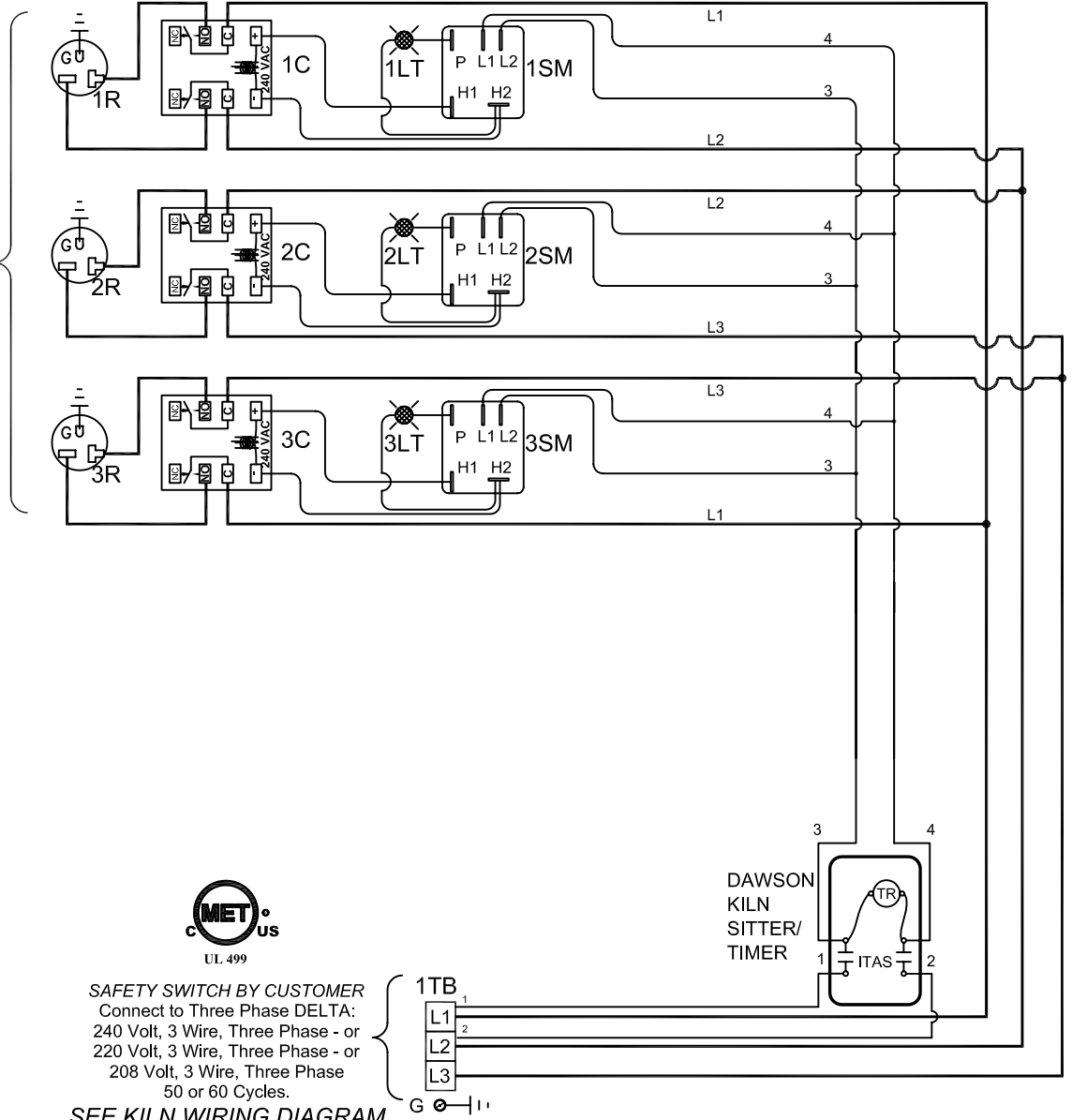


**USE WITH FOLLOWING KILN ASSEMBLIES:**

MODEL	WIRING DIAGRAM
J18	K028-110
J18X	K032-110
J23	K035-110
J230	K037-110
J2927LX	KO43-115

SEE KILN WIRING DIAGRAM  
 PLUG KILN SECTION CAPS INTO RESPECTIVE RECEPTACLES



**NOTES:**

Control Wire:  
 14 AWG, SEWF, 150°C  
 Power Wire:  
 14 AWG, SEWF, 150°C

Industrial & commercial applications may require the installation of a LOCKOUT/TAGOUT device to prevent the Kiln from operating during maintenance.

This Kiln is recommended to be wired & connected to an approved U. L. & NEC configured disconnect switch and properly fused according to the KW load load specification listed on the Kiln Nameplate. L&L Kiln Mfg., Inc., also recommends fuses rather than circuit breakers to prevent nuisance tripping.



**SAFETY SWITCH BY CUSTOMER**  
 Connect to Three Phase DELTA:  
 240 Volt, 3 Wire, Three Phase - or  
 220 Volt, 3 Wire, Three Phase - or  
 208 Volt, 3 Wire, Three Phase  
 50 or 60 Cycles.

**SEE KILN WIRING DIAGRAM FOR POWER REQUIREMENTS**  
 SWITCHING CAPACITY = 25.4 AMPS MAXIMUM

**ELECTRICAL PARTS LIST**

SYMBOL	QTY	DESCRIPTION	CUSTOMER PART NO.
1TB	1	POWER CONNECTION BOARD	L-J-PBLG/02
1TAS	1	DAWSON KILN SITTING	N-G-LT30/00
2TAS	1 (OPT)	50 HZDAWSON KILN SITTING	N-G-LT30/50
SM	3	INPUT ZONE SWITCHES	L-J-INF0/30
LT	3	INPUT ZONE PILOT LIGHTS	L-G-PIL0/00
C	3	POWER RELAYS	L-G-RL25/30
R	3	SINGLE RECEPTACLE NEMA 6-20R	L-J-SR20/00

REV#	DATE	REVISION DESCRIPTION
A	6/17/09	REPLACED UL MARK WITH MET CERTIFIED MARK & ADDED NEW LOGO
0	9/30/02	MISC CORRECTIONS FOR RELEASE

**hotkilns.com**  
 505 SHARPTOWN ROAD  
 SWEDESBORO, NJ 08085  
 PHONE: (856) 294-0077  
 FAX: (856) 294-0070

**CONTROL WIRING DIAGRAM WITH MANUAL INPUT SWITCHES**  
 For 3 Phase KILN with (3) 20 Amp Sections  
 No Branch Circuit Fusing / No Power Bottom

DRAWN BY <b>G.D.L.</b>	REV. CODE <b>A</b>	DRAWING NO. <b>K262-102</b>
DATE 10/20/99	SCALE 1 = 8	
CHK G.D.L.	APP	
JOB NO	SER NO	SHEET NO.   OF
FILE NAME L:\EVL\KILN\WIRING\GCTL\K262-102.dwg	MADE FROM	U:\SERIES\K028-102.dwg