

SINGLE PHASE MODELS:

MODELS J2936-PB & JD2936-PB		
VOLTAGE	208 / 1 / 50-60	
KW	19.4	
FULL LOAD AMPS	L1	L2 L3
	93.3	93.3 X
POWER SUPPLY	FUSE	WIRE
	125A	1/0 AWG
ELEMENTS (E-J-2900/20)	QTY	OHMS
	14	31.2
VOLTAGE	220 / 1 / 50-60	
KW	19.5	
FULL LOAD AMPS	L1	L2 L3
	88.7	88.7 X
POWER SUPPLY	FUSE	WIRE
	125A	1/0 AWG
ELEMENTS (E-J-2900/40)	QTY	OHMS
	14	34.7
VOLTAGE	240 / 1 / 50-60	
KW	21.3	
FULL LOAD AMPS	L1	L2 L3
	88.7	88.7 X
POWER SUPPLY	FUSE	WIRE
	125A	1/0 AWG
ELEMENTS (E-J-2900/30)	QTY	OHMS
	14	37.9

THREE PHASE MODELS:

MODELS J2936-PB & JD2936-PB		
VOLTAGE	208 / 3 / 50-60	
KW	19.4	
FULL LOAD AMPS	L1	L2 L3
	63.5	52.0 46.2
POWER SUPPLY	FUSE	WIRE
	80A	3 AWG
ELEMENTS (E-J-2900/20)	QTY	OHMS
	14	31.2
VOLTAGE	220 / 3 / 50-60	
KW	19.5	
FULL LOAD AMPS	L1	L2 L3
	60.3	49.3 43.9
POWER SUPPLY	FUSE	WIRE
	80A	3 AWG
ELEMENTS (E-J-2900/40)	QTY	OHMS
	14	34.7
VOLTAGE	240 / 3 / 50-60	
KW	21.3	
FULL LOAD AMPS	L1	L2 L3
	60.3	49.3 43.9
POWER SUPPLY	FUSE	WIRE
	80A	3 AWG
ELEMENTS (E-J-2900/30)	QTY	OHMS
	14	37.9

1 PHASE CONTROL PANELS:

MODEL	(AUTO/MANUAL)	WIRING DIAGRAM
J2936-PB	(MANUAL)	K263-107
JD2936-PB	(AUTO)	K263-157

3 PHASE CONTROL PANELS:

MODEL	(AUTO/MANUAL)	WIRING DIAGRAM
J2936-PB	(MANUAL)	K263-108
JD2936-PB	(AUTO)	K263-158



SEE CONTROL PANEL WIRING DIAGRAM FOR WIRING CONNECTIONS TO KILN ZONE RECEPTACLES

NOTES:

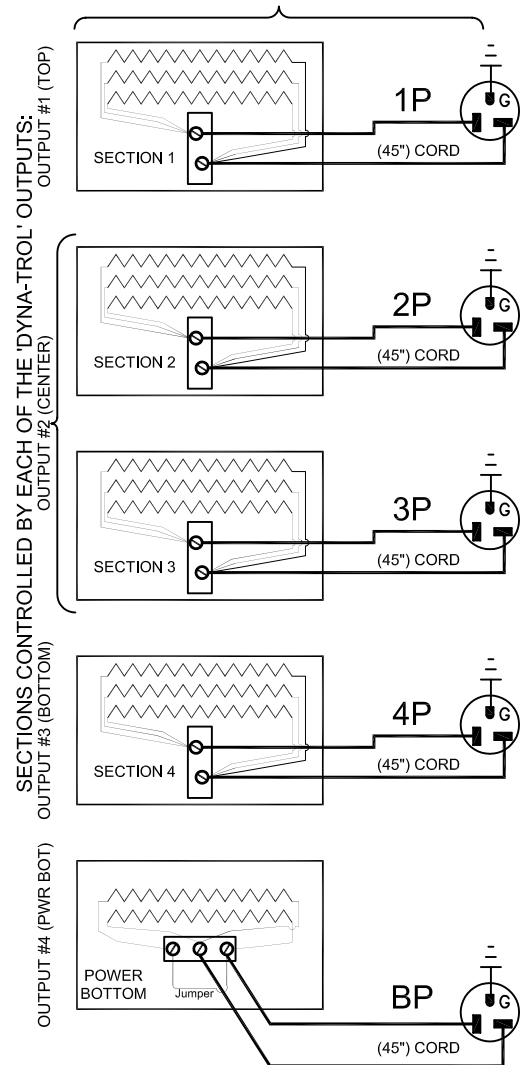
Industrial & commercial applications may require the installation of a LOCKOUT/TAGOUT device to prevent the Kiln from operating during maintenance.

This Kiln is recommended to be wired & connected to an approved U. L. & NEC configured disconnect switch and properly fused according to the KW load specification listed on the Kiln Nameplate. L&L Kiln Mfg., Inc., also recommends fuses rather than circuit breakers to prevent nuisance tripping.

ELECTRICAL PARTS LIST

SYMBOL	QTY	DESCRIPTION	CUSTOMER PART NO.
P	5	45" PLUGS NEMA 6-20P	L-J-JC45/00

KILN ASSEMBLY



Output Numbers refer to Dyna-Trol Outputs on Automatic Kilns only.



CAUTION: DO NOT PLUG KILN SECTIONS DIRECTLY TO LINE VOLTAGE

REV#	DATE	REVISION DESCRIPTION
A	6/15/09	REPLACED UL MARK WITH MET CERTIFIED MARK & ADDED NEW LOGO
0	9/19/02	MISC CORRECTIONS FOR RELEASE / DISCONTINUED HAND-HELD

L Kilns
hotkilns.com
505 SHARPTOWN ROAD
SWEDESBORO, NJ 08085
PHONE: (856) 294-0077
FAX: (856) 294-0070

TITLE: **JUPITER KILN WIRING DIAGRAM**
MODELS J2936-PB and JD2936-PB
1 or 3 PHASE KILN ASSEMBLY
4 SECTIONS, With Power Bottom

DRAWN BY	G.W.L.	REV. CODE	A	DRAWING NO.	K044-111
DATE	1/10/00	SCALE	1 = 8	CHECKED	G.D.L.
JOB NO.		SER NO.		SHEET NO.	1 OF 1
FILE NAME	L:\EVL\KILN\WIRDGKLN	MADE FROM			USERIES\K044-152.dwg