

SINGLE PHASE MODELS:

MODELS J2936 & JD2936	
VOLTAGE	208 / 1 / 50-60
KW	16.6
FULL LOAD AMPS	L1 L2 L3 80.0 80.0 X
POWER SUPPLY	FUSE WIRE 100A 1 AWG
ELEMENTS (E-J-2900/20)	QTY OHMS 12 31.2
VOLTAGE	220 / 1 / 50-60
KW	16.7
FULL LOAD AMPS	L1 L2 L3 76.0 76.0 X
POWER SUPPLY	FUSE WIRE 100A 1 AWG
ELEMENTS (E-J-2900/40)	QTY OHMS 12 34.7
VOLTAGE	240 / 1 / 50-60
KW	18.2
FULL LOAD AMPS	L1 L2 L3 76.0 76.0 X
POWER SUPPLY	FUSE WIRE 100A 1 AWG
ELEMENTS (E-J-2900/30)	QTY OHMS 12 37.9

THREE PHASE MODELS:

MODELS J2936 & JD2936	
VOLTAGE	208 / 3 / 50-60
KW	16.6
FULL LOAD AMPS	L1 L2 L3 52.0 52.0 34.6
POWER SUPPLY	FUSE WIRE 70A 4 AWG
ELEMENTS (E-J-2900/20)	QTY OHMS 12 31.2
VOLTAGE	220 / 3 / 50-60
KW	16.7
FULL LOAD AMPS	L1 L2 L3 49.3 49.3 32.9
POWER SUPPLY	FUSE WIRE 70A 4 AWG
ELEMENTS (E-J-2900/40)	QTY OHMS 12 34.7
VOLTAGE	240 / 3 / 50-60
KW	18.2
FULL LOAD AMPS	L1 L2 L3 49.3 49.3 32.9
POWER SUPPLY	FUSE WIRE 70A 4 AWG
ELEMENTS (E-J-2900/30)	QTY OHMS 12 37.9

1 PHASE CONTROL PANELS:

MODEL	(AUTO/MANUAL)	WIRING DIAGRAM
J2936	(MANUAL)	K262-105
JD2936	(AUTO)	K262-155

3 PHASE CONTROL PANELS:

MODEL	(AUTO/MANUAL)	WIRING DIAGRAM
J2936	(MANUAL)	K262-106
JD2936	(AUTO)	K262-156



SEE CONTROL PANEL WIRING DIAGRAM FOR WIRING CONNECTIONS TO KILN ZONE RECEPTACLES

NOTES:

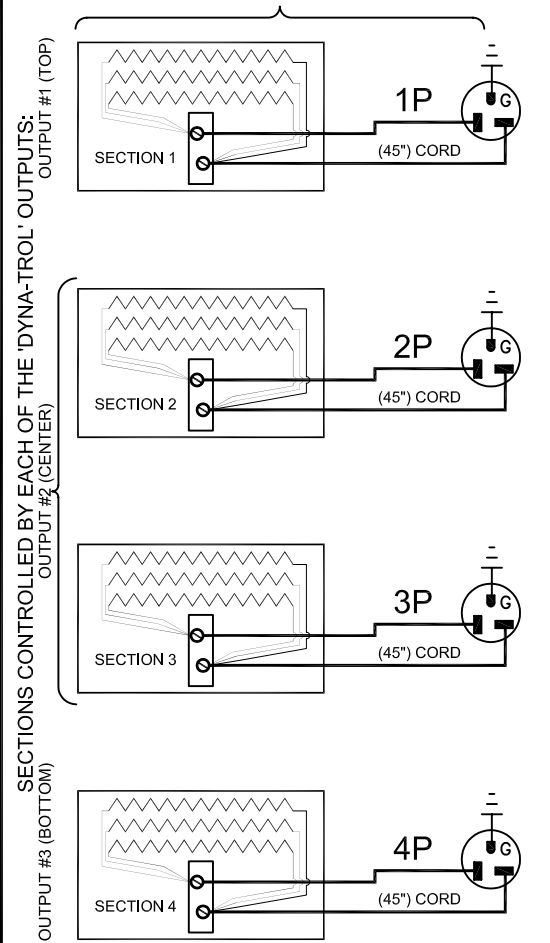
Industrial & commercial applications may require the installation of a LOCKOUT/TAGOUT device to prevent the Kiln from operating during maintenance.

This Kiln is recommended to be wired & connected to an approved U. L. & NEC configured disconnect switch and properly fused according to the KW load specification listed on the Kiln Nameplate. L&L Kiln Mfg., Inc., also recommends fuses rather than circuit breakers to prevent nuisance tripping.

ELECTRICAL PARTS LIST

SYMBOL	QTY	DESCRIPTION	CUSTOMER PART NO.
P	4	45" PLUGS NEMA 6-20P	L-J-JC45/00

KILN ASSEMBLY



Output Numbers refer to Dyna-Trol Outputs on Automatic Kilns only.



CAUTION: DO NOT PLUG KILN SECTIONS DIRECTLY TO LINE VOLTAGE

REV#	DATE	REVISION DESCRIPTION
A	6/15/09	REPLACED UL MARK WITH MET CERTIFIED MARK & ADDED NEW LOGO
0	9/19/02	MISC CORRECTIONS FOR RELEASE / DISCONTINUED HAND-HELD

L&L Kilns
hotkilns.com
505 SHARPTOWN ROAD
SWEDESBORO, NJ 08085
PHONE: (856) 294-0077
FAX: (856) 294-0070

TITLE **JUPITER KILN WIRING DIAGRAM**
MODELS J2936 and JD2936
1 or 3 PHASE KILN ASSEMBLY
4 SECTIONS, No Power Bottom

DATE	SCALE	REV. CODE	DRAWING NO.
1/10/00	1 = 8	A	K044-110
CHK G.D.L.	APP		
JOB NO	SER NO		SHEET NO. OF
FILE NAME L:\EVL\KILN\WIRDG\KLN	MADE FROM		USERIES\K043-101.dwg
IK044-110.DWG			