

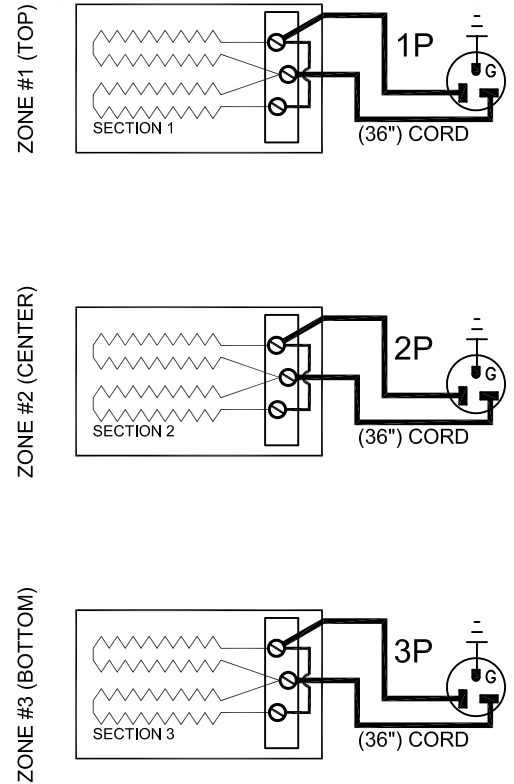
**SINGLE PHASE MODELS:**

MODEL J2927LX	
VOLTAGE	208 / 1 / 50-60
KW	9.14
FULL LOAD AMPS	L1   L2   L3 44.0   44.0   X
POWER SUPPLY	FUSE   WIRE 60A   6 AWG
ELEMENTS (E-J-2300/20)	QTY   OHMS 6   28.4
VOLTAGE	220 / 1 / 50-60
KW	9.68
FULL LOAD AMPS	L1   L2   L3 44.0   44.0   X
POWER SUPPLY	FUSE   WIRE 60A   6 AWG
ELEMENTS (E-J-2300/40)	QTY   OHMS 6   30.0
VOLTAGE	240 / 1 / 50-60
KW	10.55
FULL LOAD AMPS	L1   L2   L3 44.0   44.0   X
POWER SUPPLY	FUSE   WIRE 60A   6 AWG
ELEMENTS (E-J-2300/30)	QTY   OHMS 6   32.7

**THREE PHASE MODELS:**

MODEL J2927LX	
VOLTAGE	208 / 3 / 50-60
KW	9.14
FULL LOAD AMPS	L1   L2   L3 25.4   25.4   25.4
POWER SUPPLY	FUSE   WIRE 40A   8 AWG
ELEMENTS (E-J-2300/20)	QTY   OHMS 6   28.4
VOLTAGE	220 / 3 / 50-60
KW	9.68
FULL LOAD AMPS	L1   L2   L3 25.4   25.4   25.4
POWER SUPPLY	FUSE   WIRE 40A   8 AWG
ELEMENTS (E-J-2300/40)	QTY   OHMS 6   30.0
VOLTAGE	240 / 3 / 50-60
KW	10.55
FULL LOAD AMPS	L1   L2   L3 25.4   25.4   25.4
POWER SUPPLY	FUSE   WIRE 40A   8 AWG
ELEMENTS (E-J-2300/30)	QTY   OHMS 6   32.7

**KILN ASSEMBLY**



**1 PHASE CONTROL PANELS:**

MODEL	(AUTO/MANUAL)	WIRING DIAGRAM
J2927LX	(MANUAL)	K262-101
.	.	.
.	.	.

**3 PHASE CONTROL PANELS:**

MODEL	(AUTO/MANUAL)	WIRING DIAGRAM
J2927LX	(MANUAL)	K262-102
.	.	.
.	.	.



**SEE CONTROL PANEL WIRING DIAGRAM FOR WIRING CONNECTIONS TO KILN ZONE RECEPTACLES**



**CAUTION: DO NOT PLUG KILN SECTIONS DIRECTLY TO LINE VOLTAGE**

**NOTES:**

Industrial & commercial applications may require the installation of a LOCKOUT/TAGOUT device to prevent the Kiln from operating during maintenance.

This Kiln is recommended to be wired & connected to an approved U. L. & NEC configured disconnect switch and properly fused according to the KW load specification listed on the Kiln Nameplate. L&L Kiln Mfg., Inc., also recommends fuses rather than circuit breakers to prevent nuisance tripping.

**ELECTRICAL PARTS LIST**

SYMBOL	QTY	DESCRIPTION	CUSTOMER PART NO.
P	3	36" PLUGS NEMA 6-20P	L-J-JC36/00
.	.	.	.
.	.	.	.

REV#	DATE	REVISION DESCRIPTION
A	6/15/09	REPLACED UL MARK WITH MET CERTIFIED MARK & ADDED NEW LOGO
0	9/19/02	MISC CORRECTIONS FOR RELEASE

**L&L Kilns**  
hotkilns.com  
505 SHARPTOWN ROAD  
SWEDESBORO, NJ 08085  
PHONE: (856) 294-0077  
FAX: (856) 294-0070

TITLE **JUPITER KILN WIRING DIAGRAM  
MODEL J2927LX  
1 or 3 PHASE KILN ASSEMBLY  
3 SECTIONS, No Power Bottom**

DRAWN BY <b>G.D.L.</b>	REV. CODE <b>A</b>	DRAWING NO. <b>K043-115</b>
DATE 8/26/02	SCALE 1 = 8	
CHK <b>G.D.L.</b>	APP	
JOB NO.	SER NO.	SHEET NO.   OF
FILE NAME L:\E\11\KILN\WIRING\KLN K043-115.dwg	MADE FROM	WIRING\KLN\K037-110.dwg