

SINGLE PHASE MODELS:

MODELS J245 & JD245	
VOLTAGE	208 / 1 / 50-60
KW	15.2
FULL LOAD AMPS	L1 L2 L3 73.3 73.3 X
POWER SUPPLY	FUSE WIRE 100A 1 AWG
ELEMENTS (E-J-2300/20)	QTY OHMS 10 28.4
VOLTAGE	220 / 1 / 50-60
KW	16.1
FULL LOAD AMPS	L1 L2 L3 73.3 73.3 X
POWER SUPPLY	FUSE WIRE 100A 1 AWG
ELEMENTS (E-J-2300/40)	QTY OHMS 10 30.0
VOLTAGE	240 / 1 / 50-60
KW	17.6
FULL LOAD AMPS	L1 L2 L3 73.3 73.3 X
POWER SUPPLY	FUSE WIRE 100A 1 AWG
ELEMENTS (E-J-2300/30)	QTY OHMS 10 32.7

THREE PHASE MODELS:

MODELS J245 & JD245	
VOLTAGE	208 / 3 / 50-60
KW	15.2
FULL LOAD AMPS	L1 L2 L3 38.1 50.8 38.1
POWER SUPPLY	FUSE WIRE 70A 4 AWG
ELEMENTS (E-J-2300/20)	QTY OHMS 10 28.4
VOLTAGE	220 / 3 / 50-60
KW	16.1
FULL LOAD AMPS	L1 L2 L3 38.1 50.8 38.1
POWER SUPPLY	FUSE WIRE 70A 4 AWG
ELEMENTS (E-J-2300/40)	QTY OHMS 10 30.0
VOLTAGE	240 / 3 / 50-60
KW	17.6
FULL LOAD AMPS	L1 L2 L3 38.1 50.8 38.1
POWER SUPPLY	FUSE WIRE 70A 4 AWG
ELEMENTS (E-J-2300/30)	QTY OHMS 10 32.7

1 PHASE CONTROL PANELS:

MODEL	(AUTO/MANUAL)	WIRING DIAGRAM
J245	(MANUAL)	K262-107
JD245	(AUTO)	K262-157

3 PHASE CONTROL PANELS:

MODEL	(AUTO/MANUAL)	WIRING DIAGRAM
J245	(MANUAL)	K262-108
JD245	(AUTO)	K262-158



SEE CONTROL PANEL WIRING DIAGRAM FOR WIRING CONNECTIONS TO KILN ZONE RECEPTACLES

NOTES:

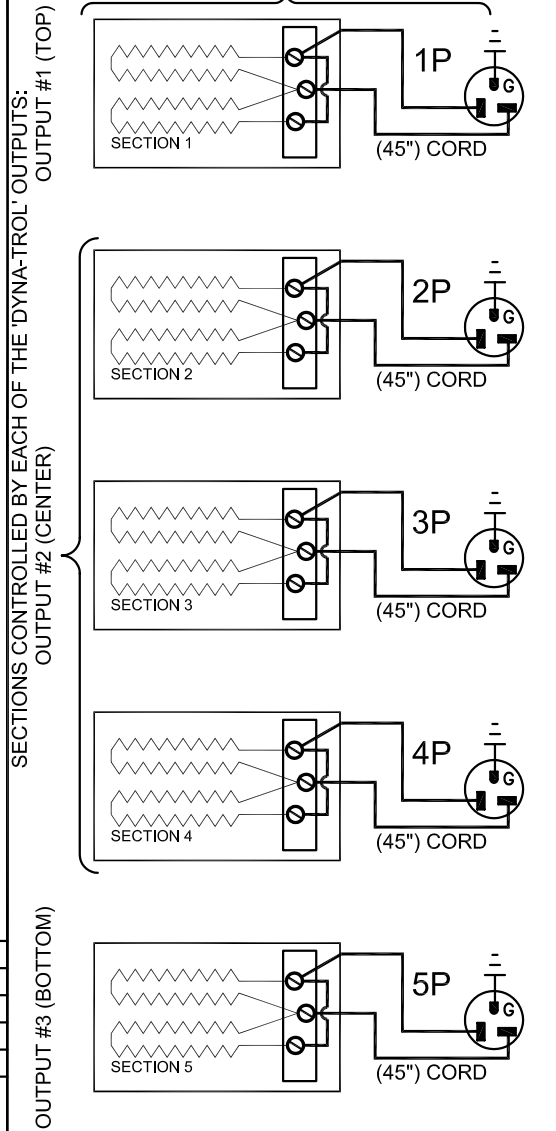
Industrial & commercial applications may require the installation of a LOCKOUT/TAGOUT device to prevent the Kiln from operating during maintenance.

This Kiln is recommended to be wired & connected to an approved U. L. & NEC configured disconnect switch and properly fused according to the KW load specification listed on the Kiln Nameplate. L&L Kiln Mfg., Inc., also recommends fuses rather than circuit breakers to prevent nuisance tripping.

ELECTRICAL PARTS LIST

SYMBOL	QTY	DESCRIPTION	CUSTOMER PART NO.
P	5	45" PLUGS NEMA 6-20P	L-J-JC45/00

KILN ASSEMBLY



Output Numbers refer to Dyna-Trol Outputs on Automatic Kilns only.



CAUTION: DO NOT PLUG KILN SECTIONS DIRECTLY TO LINE VOLTAGE

REV#	DATE	REVISION DESCRIPTION
A	10/23/09	REPLACED UL MARK WITH MET CERTIFIED MARK & ADDED NEW LOGO
0	9/18/02	MISC CORRECTIONS FOR RELEASE / DISCONTINUED HAND-HELD

L&L Kilns
hotkilns.com

505 SHARPTOWN ROAD
SWEDESBORO, NJ 08085

PHONE: (856) 294-0077
FAX: (856) 294-0070

TITLE **JUPITER KILN WIRING DIAGRAM**
MODELS J245 and JD245
1 or 3 PHASE KILN ASSEMBLY
5 SECTIONS, No Power Bottom

DRAWN BY	G.D.L.	REV. CODE	A	DRAWING NO.	K039-110
DATE	10/20/99	SCALE	1 = 8		
CHK	G.D.L.	APP			
JOB NO.		SER NO.		SHEET NO.	1 OF 1
FILE NAME	L:\E\ILLKILN\WIRING\GKLN\K039-110.DWG	MADE FROM			USERIES\K038-101.dwg