

NOTES:

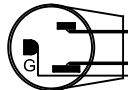
Control Wire:
16 AWG, 105°C
Power Wire:
10 AWG, 150°C

Industrial & commercial applications may require the installation of a LOCKOUT/TAGOUT device to prevent the Kiln from operating during maintenance.

This Kiln is recommended to be wired & connected to an approved U. L. & NEC configured receptacle controlled with a disconnect switch and properly fused according to the KW load load specification listed on the Kiln Nameplate. L&L Kiln Mfg., Inc., also recommends fuses rather than circuit breakers to prevent nuisance tripping.



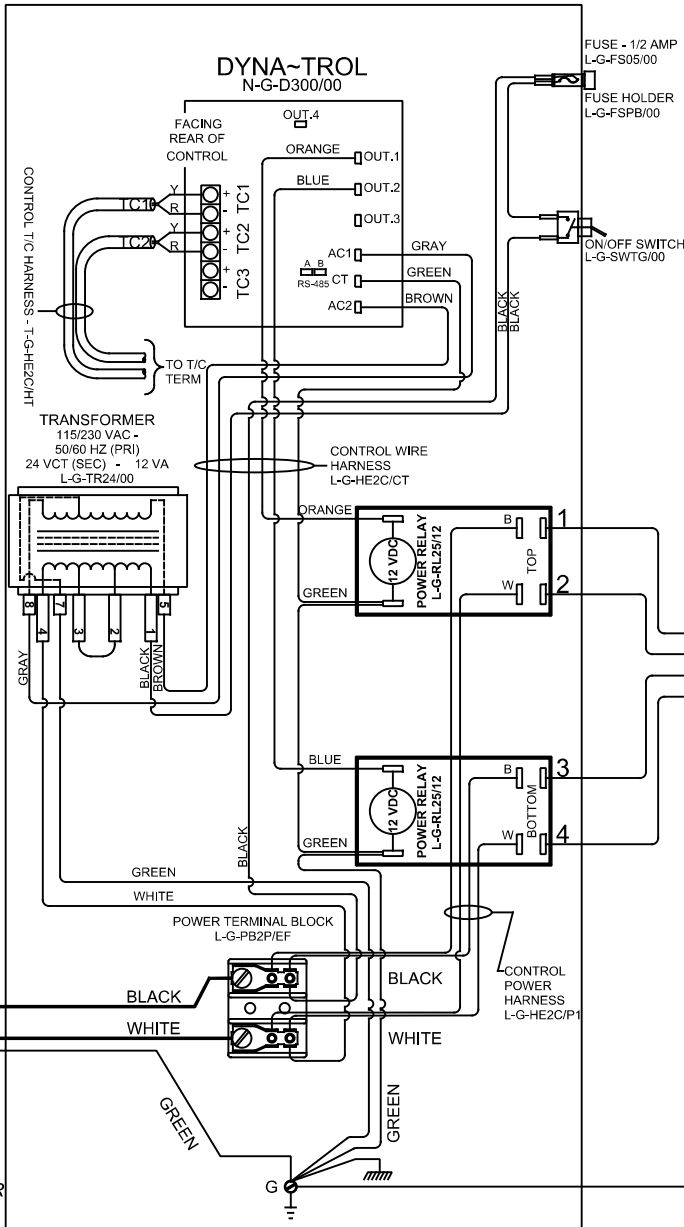
6-20P Plug (For 240V version)
20 amp, 200-250 volt



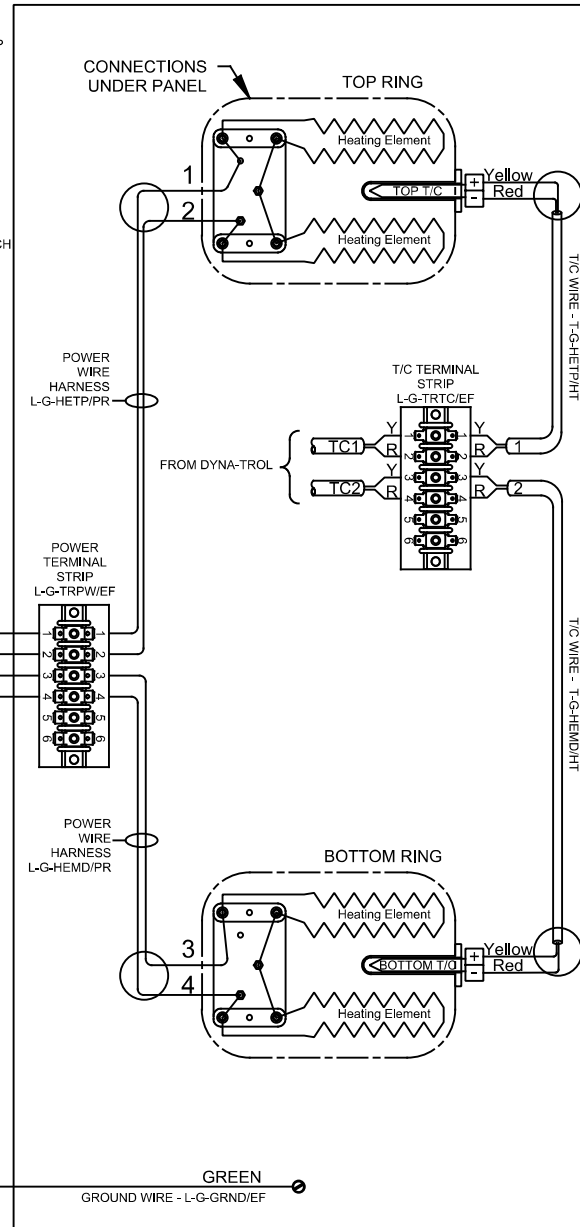
14-30P Plug (For 208V version)
30 amp, 200-250 volt

SAFETY SWITCH BY CUSTOMER
Connect to
240 Volt, 2 Wire, Single Phase - or
208 Volt, 2 Wire, Single Phase
50 or 60 Cycles.

LOOKING INSIDE CONTROL PANEL



LOOKING AT OUTSIDE OF ELEMENT COVER PANEL



Model e14S-208

VOLTAGE	208 / 1 / 50-60		
WATTS	3840		
FULL LOAD AMPS	L1	L2	L3
	18.5	18.5	
POWER SUPPLY	FUSE	WIRE	
	25A	12 AWG	
ELEMENTS E-F-1418/21	QTY	OHMS	
	4	10.8	

Model e14S-240

VOLTAGE	240 / 1 / 50-60		
WATTS	3840		
FULL LOAD AMPS	L1	L2	L3
	16	16	
POWER SUPPLY	FUSE	WIRE	
	20A	14 AWG	
ELEMENTS E-F-1418/31	QTY	OHMS	
	4	14.4	

REV. #	DATE	REVISION DESCRIPTION
0		