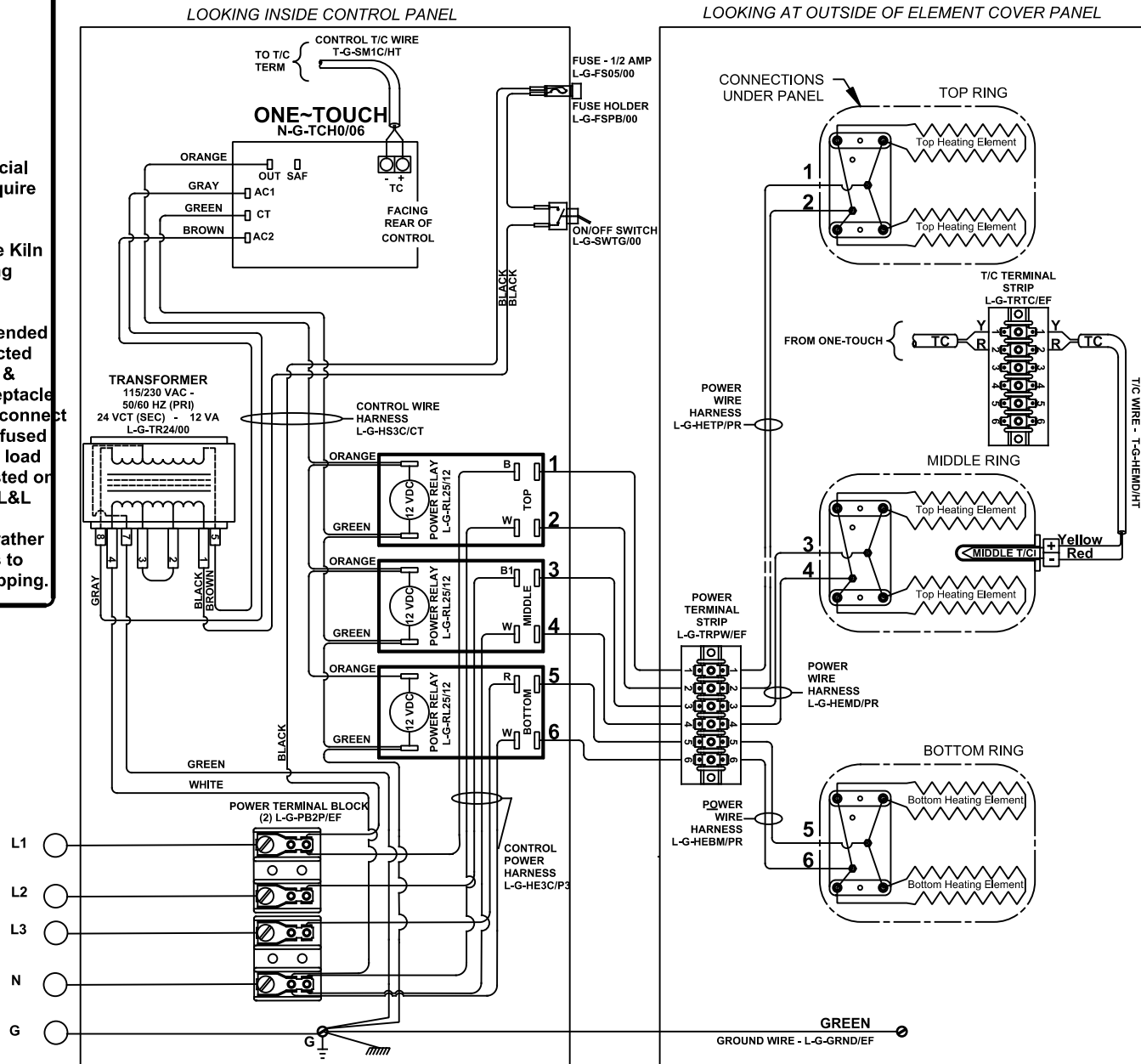


**NOTES:**

**Control Wire:**  
16 AWG, 105°C  
**Power Wire:**  
10 AWG, 150°C

Industrial & commercial applications may require the installation of a **LOCKOUT/TAGOUT** device to prevent the Kiln from operating during maintenance.

This Kiln is recommended to be wired & connected to an approved U. L. & NEC configured receptacle controlled with a disconnect switch and properly fused according to the KW load specification listed on the Kiln Nameplate. L&L Kiln Mfg., Inc., also recommends fuses rather than circuit breakers to prevent nuisance tripping.



Model SM28T-380-3PY	
VOLTAGE	380 / 3-Y / 50-60
WATTS	15,644
FULL LOAD AMPS	L1   L2   L3 23.4   23.4   24.2
POWER SUPPLY	FUSE   WIRE 30A   10 AWG
ELEMENTS	QTY   OHMS 4   18.77 2   18.16

Model SM28T-400-3PY	
VOLTAGE	400 / 3-Y / 50-60
WATTS	17,100
FULL LOAD AMPS	L1   L2   L3 24.5   24.5   25.3
POWER SUPPLY	FUSE   WIRE 40A   8 AWG
ELEMENTS	QTY   OHMS 4   18.77 2   18.16

Model SM28T-415-3PY	
VOLTAGE	415 / 3-Y / 50-60
WATTS	16,618
FULL LOAD AMPS	L1   L2   L3 22.8   22.8   23.6
POWER SUPPLY	FUSE   WIRE 30A   10 AWG
ELEMENTS	QTY   OHMS 4   20.24 2   19.58

**SAFETY SWITCH BY CUSTOMER**  
Connect to  
380/400/415 Volt  
4 Wire Three Phase Wye  
50 Or 60 Cycles.

REV.#	DATE	REVISION DESCRIPTION