

**NOTES:**

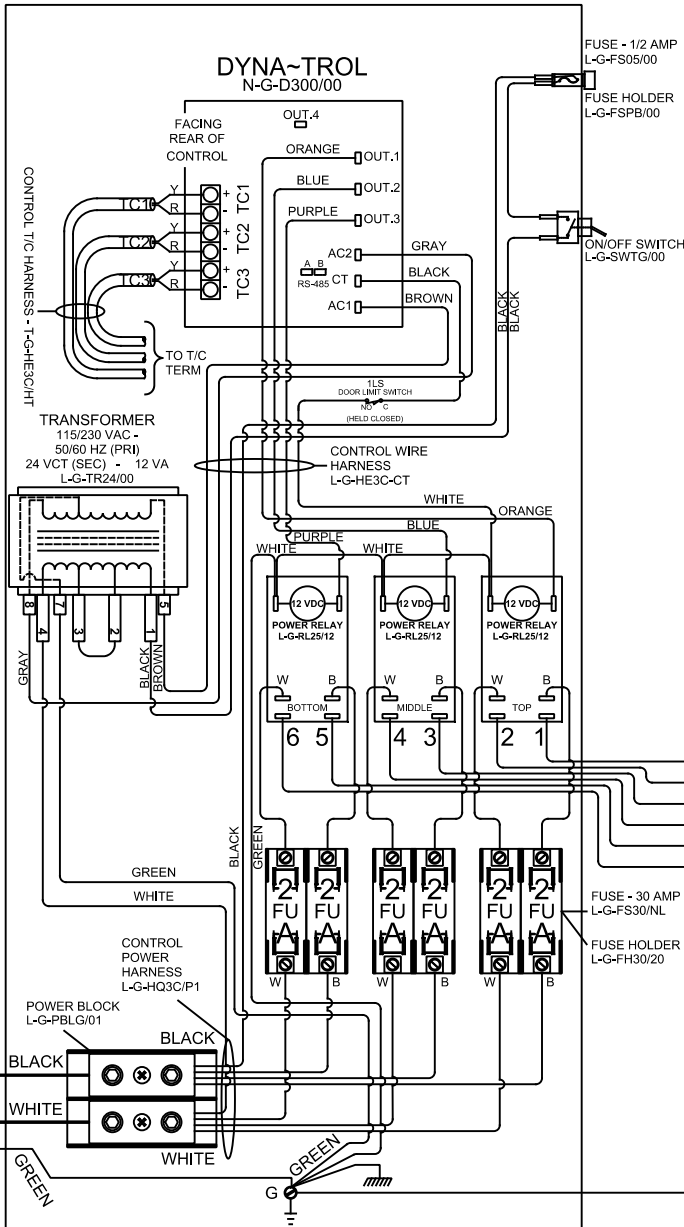
Control Wire:  
16 AWG, 105°C  
Power Wire:  
10 AWG, 150°C

Industrial & commercial applications may require the installation of a LOCKOUT/TAGOUT device to prevent the Kiln from operating during maintenance.

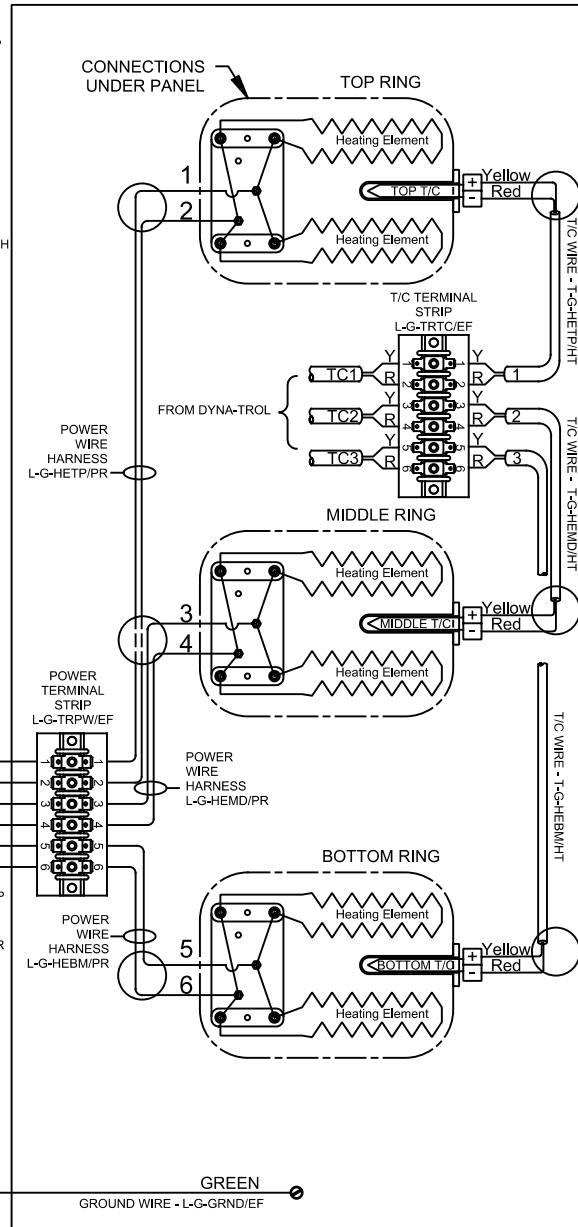
This Kiln is recommended to be wired & connected to an approved U. L. & NEC configured receptacle controlled with a disconnect switch and properly fused according to the KW load load specification listed on the Kiln Nameplate. L&L Kiln Mfg., Inc., also recommends fuses rather than circuit breakers to prevent nuisance tripping.



LOOKING INSIDE CONTROL PANEL



LOOKING AT OUTSIDE OF ELEMENT COVER PANEL



<b>Model</b>			
<b>eFL1626 - 208 - X</b>			
VOLTAGE	208 / 1 / 50-60		
WATTS	11,650		
FULL LOAD AMPS	L1	L2	L3
	56.0	56.0	X
POWER SUPPLY	FUSE	WIRE	
	70A	4 AWG	
ELEMENTS	QTY	OHMS	
	6	21.5	

**SAFETY SWITCH BY CUSTOMER**  
Connect to  
208 Volt, 2 Wire, Single Phase  
50 or 60 Cycles.

DRAWING NO. E381-100A	SHEET OF 1/1	REV 0	<b>L&amp;L Kilns</b> hotkilns.com	505 SHARPTOWN RD. SWEDESBORO, NJ 08095 PHONE: (856) 294-0077 FAX: (856) 294-0070	TITLE MODEL eFL 1626 - 208 - X 1 PHASE WIRING DIAGRAM	SCALE 1 = 8	DATE 8/1/2022	DRAWN BY SJL	FILE NAME	MADE FROM K381-155
--------------------------	-----------------	----------	--------------------------------------	---	---	----------------	------------------	-----------------	-----------	-----------------------