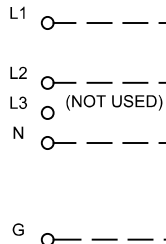


NOTES:

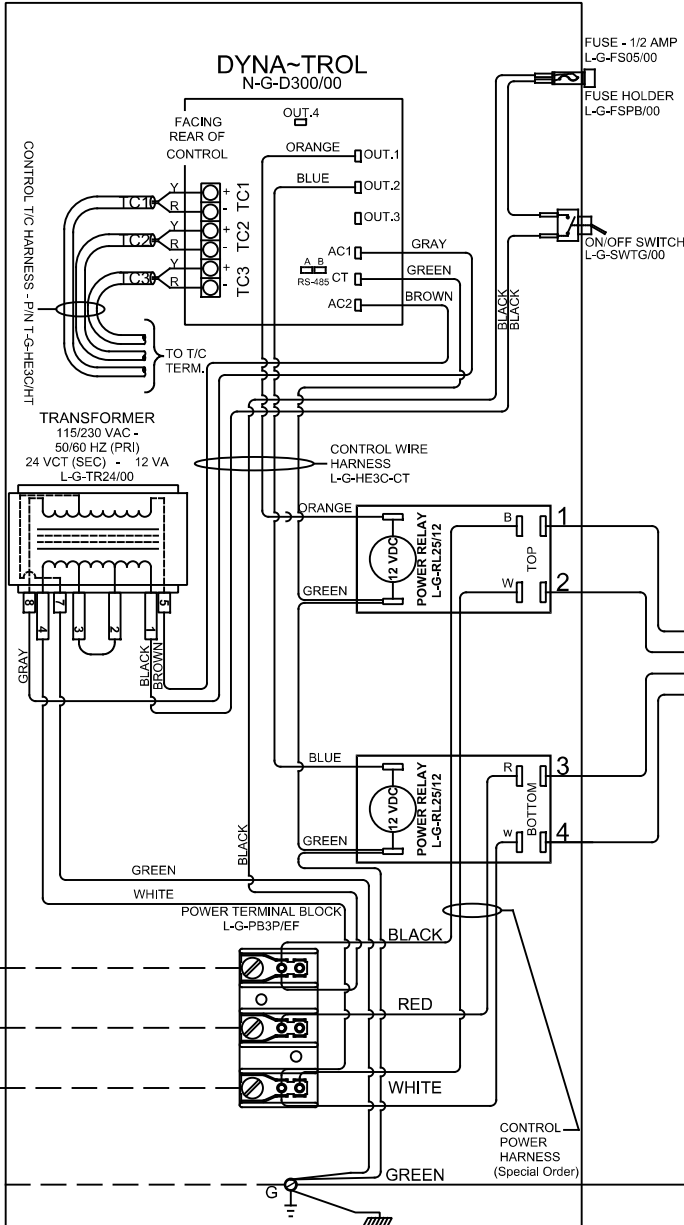
Control Wire:
16 AWG, 105°C
Power Wire:
10 AWG, 150°C

Industrial & commercial applications may require the installation of a LOCKOUT/TAGOUT device to prevent the Kiln from operating during maintenance.

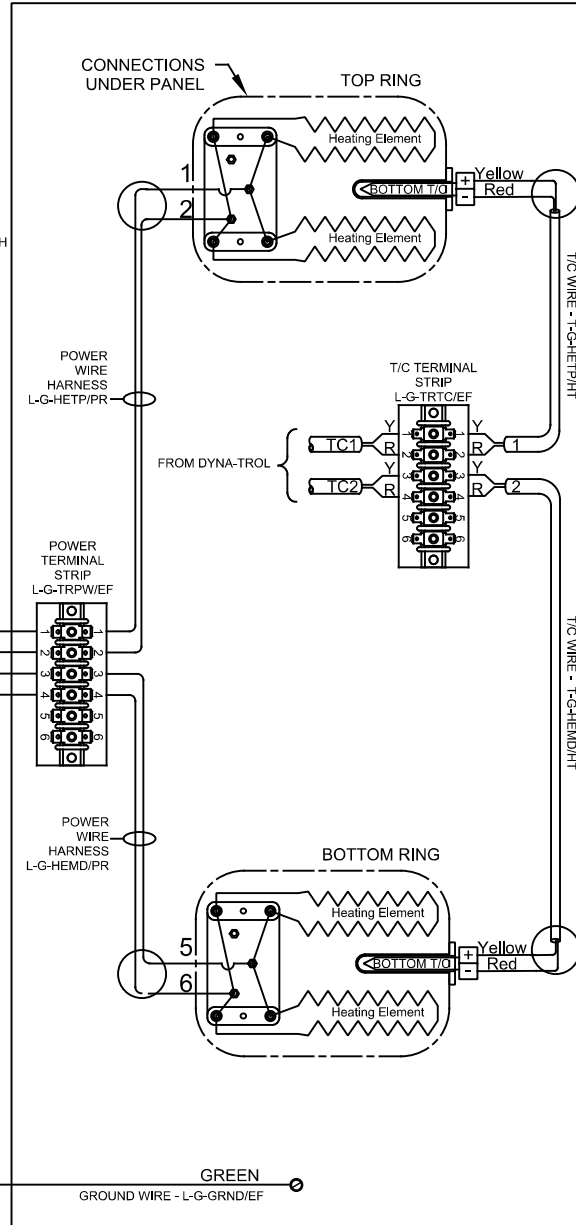
This Kiln is recommended to be wired & connected to an approved U. L. & NEC configured receptacle controlled with a disconnect switch and properly fused according to the KW load load specification listed on the Kiln Nameplate. L&L Kiln Mfg., Inc., also recommends fuses rather than circuit breakers to prevent nuisance tripping.



LOOKING INSIDE CONTROL PANEL



LOOKING AT OUTSIDE OF ELEMENT COVER PANEL



Model e23S-380-3PY	
VOLTAGE	380 / 3-Y / 50-60
WATTS	8660
FULL LOAD AMPS	L1 L2 L3 19.7 19.7 0
POWER SUPPLY	FUSE WIRE 25A 12 AWG
ELEMENTS	QTY OHMS 4 21.5

Model e23S-400-3PY	
VOLTAGE	400 / 3-Y / 50-60
WATTS	9634
FULL LOAD AMPS	L1 L2 L3 21.4 21.4 0
POWER SUPPLY	FUSE WIRE 30A 10 AWG
ELEMENTS	QTY OHMS 4 21.5

Model e23S-415-3PY	
VOLTAGE	415 / 3-Y / 50-60
WATTS	9460
FULL LOAD AMPS	L1 L2 L3 19.7 19.7 0
POWER SUPPLY	FUSE WIRE 25A 12 AWG
ELEMENTS	QTY OHMS 4 23.4

SAFETY SWITCH BY CUSTOMER
Connect to
380V or 400V or 415V Volt, 4 Wire, 3 Phase Wye
50 or 60 Cycles.

A	3/17/17	CHANGED ELEMENTS TO PARALLEL	
REV. #	DATE	REVISION DESCRIPTION	