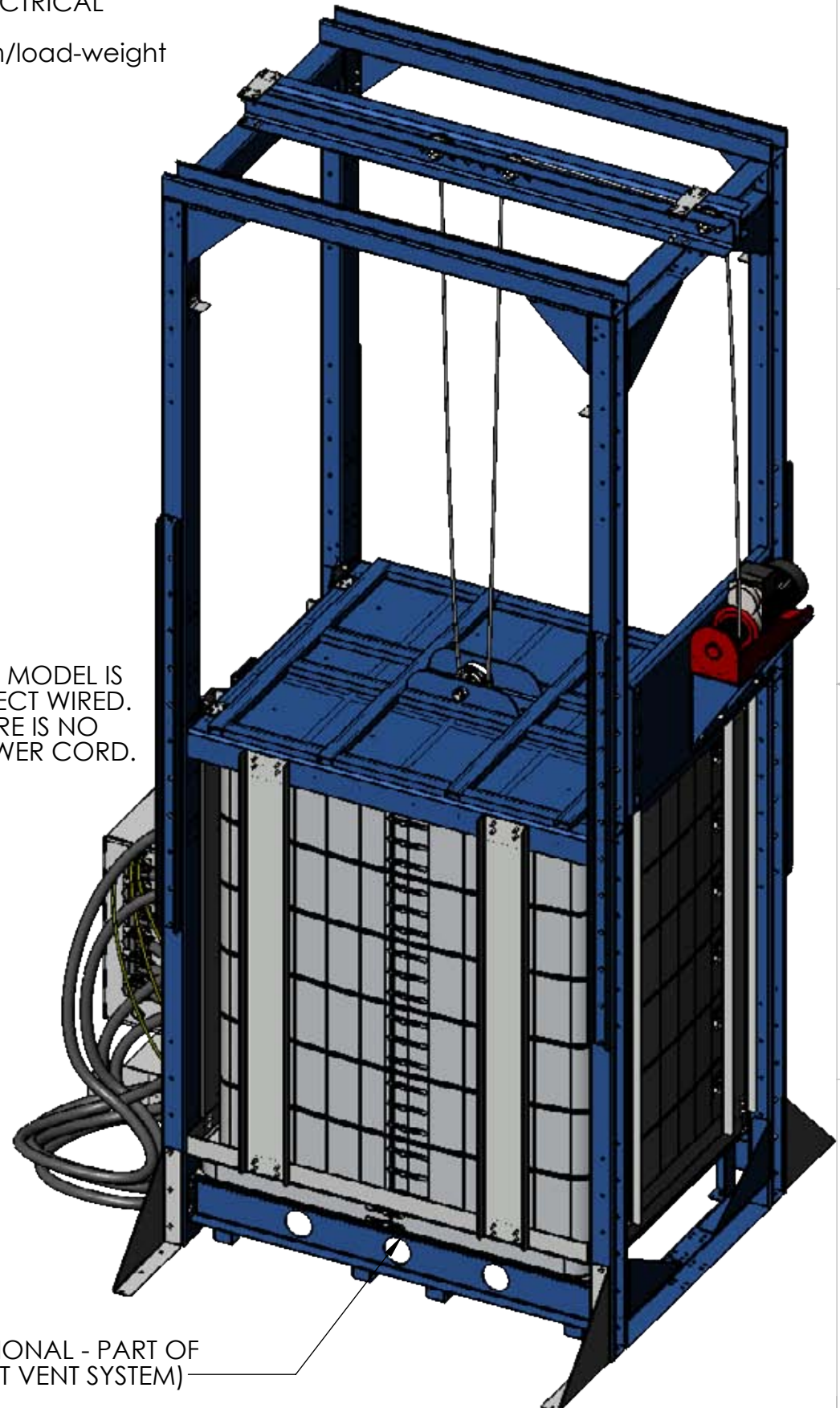
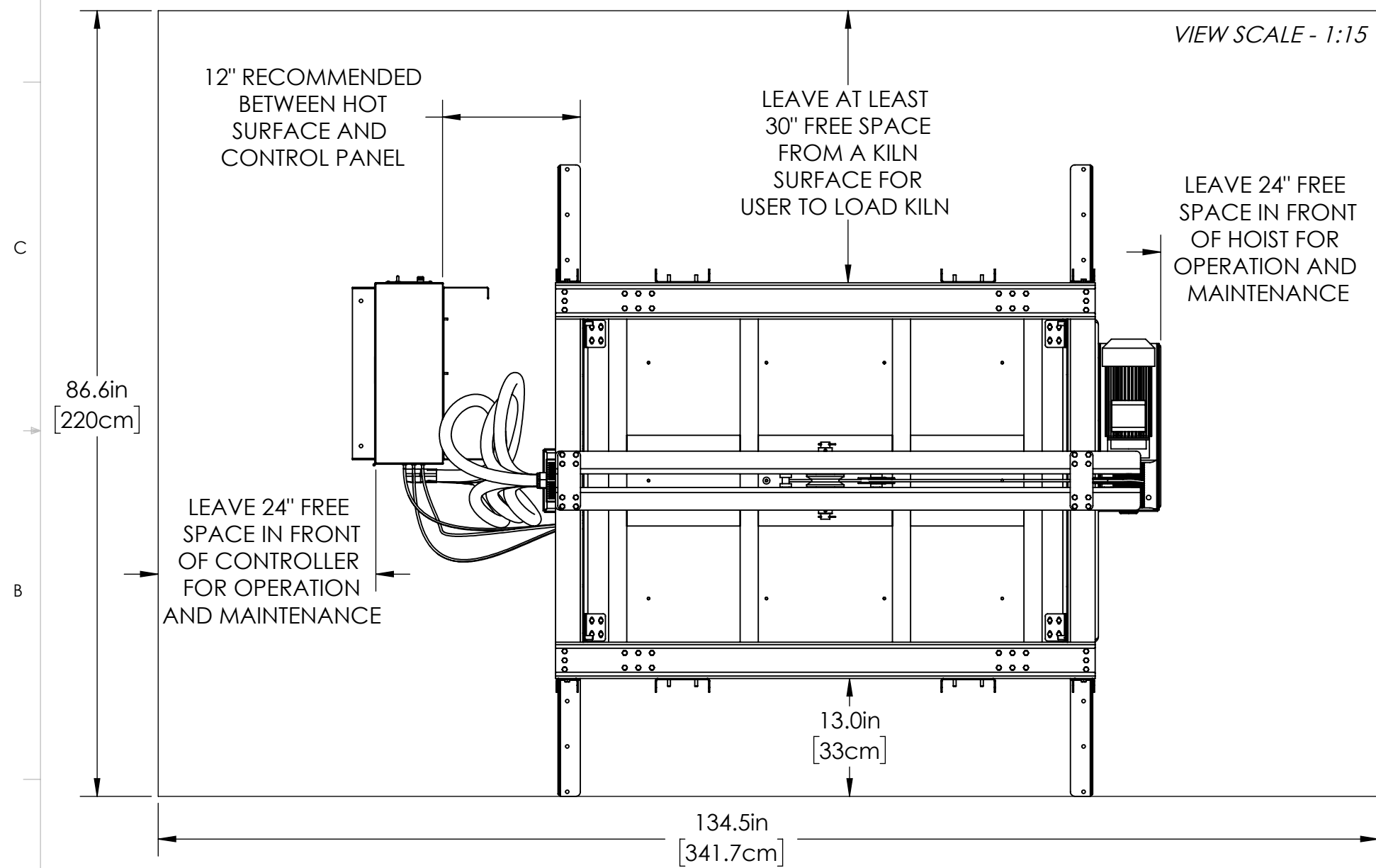


- WALL/KILN SPACING:** 12" [30.5cm] SPACING BETWEEN SIDES OF KILN AND WALLS OR OTHER OBJECTS. 18" [45.7cm] IS RECOMMENDED. LEAVE AT LEAST 18" [45.7cm] BETWEEN TWO KILNS.
- AMBIENT VENTILATION:** SEE CHART BELOW FOR RATINGS. TO CALCULATE REQUIREMENTS, SEE hotkilns.com/calculate-kiln-room-ventilation.
- KILN VENTILATION:** L&L VENT-SURE KILN VENT RECOMMENDED FOR SAFETY AND LONGER ELEMENT LIFE. OPTIONAL CONTROL ALLOWS VENT TO BE TURNED ON AND OFF WITH CONTROL.

- OTHER INFO:** REFER TO INSTALLATION INSTRUCTIONS AND CAUTIONS INSTRUCTIONS FOR OTHER REQUIREMENTS AND SAFETY INFORMATION. REFER TO WIRING DIAGRAM FOR ELECTRICAL HOOKUP INFORMATION.
- MAX LOAD WEIGHT:** SEE hotkilns.com/load-weight
- WEIGHT OF KILN:** 2245 LBS, 1018 KG

CLEARANCES, LAYOUT & INSTALLATION



BTUS/ KILOJOULES PER HOUR NEEDED TO BE VENTED WITH AMBIENT ROOM VENTILATION (THIS IS IN ADDITION TO KILN VENTING):

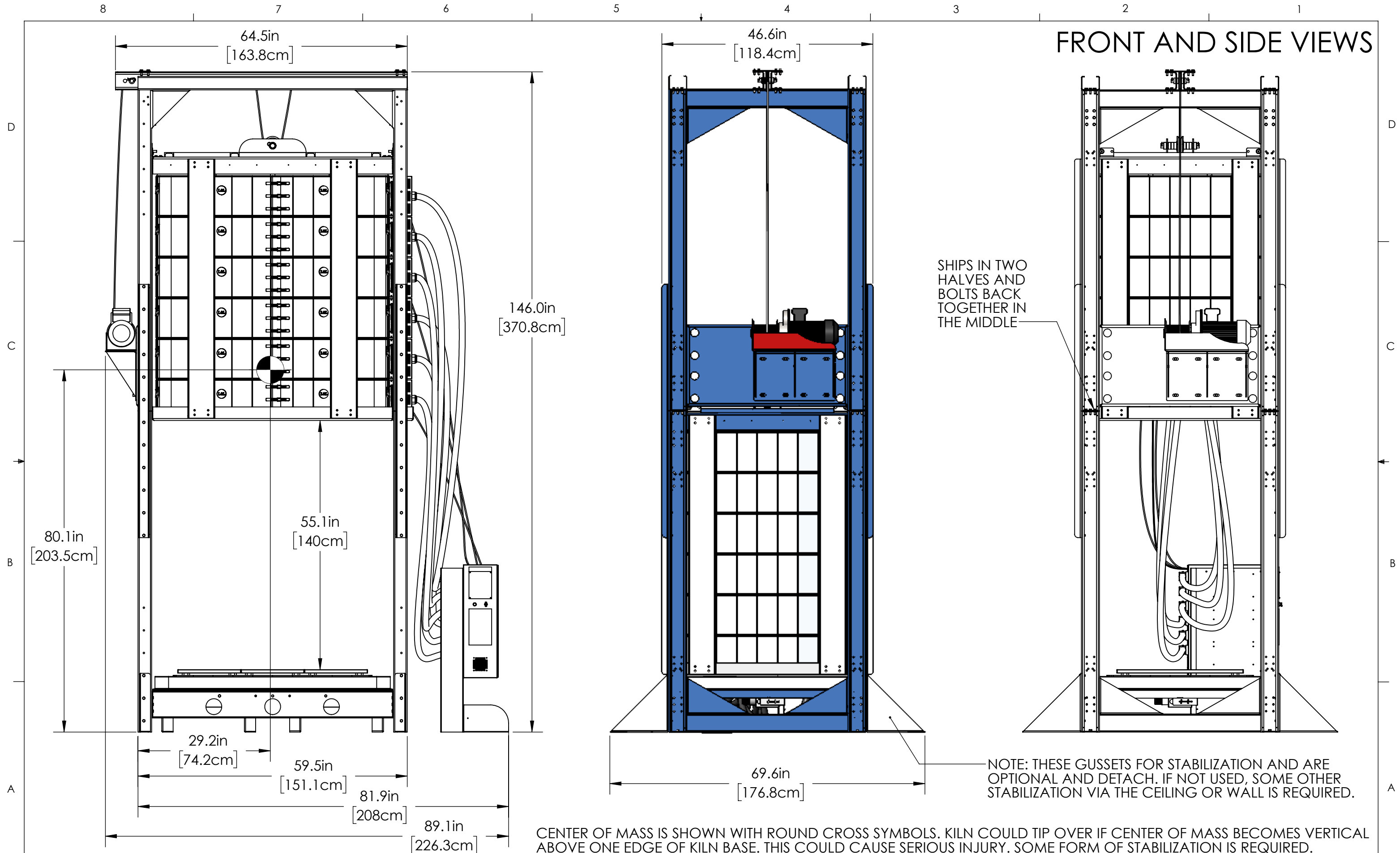
AT TEMP F	BTUS	AT TEMP C	KILOJOULES
1800F	43065	980C	45437
2000F	50705	1095C	53497
2232F	60351	1222C	63674
2350F	65580	1285C	69191

THE INFORMATION CONTAINED IN THIS DRAWING IS THE SOLE PROPERTY OF L&L KILN MFG INC. ANY REPRODUCTION IN PART OR AS A WHOLE WITHOUT THE WRITTEN PERMISSION OF L&L KILN MFG INC. IS PROHIBITED.

MADE FROM NEW
 DRAWN BY DSL
 DATE 05/01/20
 SCALE 1:18
 TITLE T3454-BL (3" BRICK) DAVINCI BELL-LIFT GENERAL DIMENSIONS

L&L Kilns
 hotkilns.com
 505 SHARPTOWN RD
 SWEDESBORO NJ 08085
 PH: (856) 294-0077
 FAX: (856) 294-0070

REV 0
 SHEET OF 1/4
 DRAWING NO. 300-001-66



THE INFORMATION CONTAINED IN THIS DRAWING IS THE SOLE PROPERTY OF L&L KILN MFG INC. ANY REPRODUCTION IN PART OR AS A WHOLE WITHOUT THE WRITTEN PERMISSION OF L&L KILN MFG INC. IS PROHIBITED.

MADE FROM
NEW

DRAWN BY
DSL

DATE
05/01/20

SCALE
1:19

TITLE

T3454-BL (3" BRICK) DAVINCI BELL-LIFT GENERAL DIMENSIONS



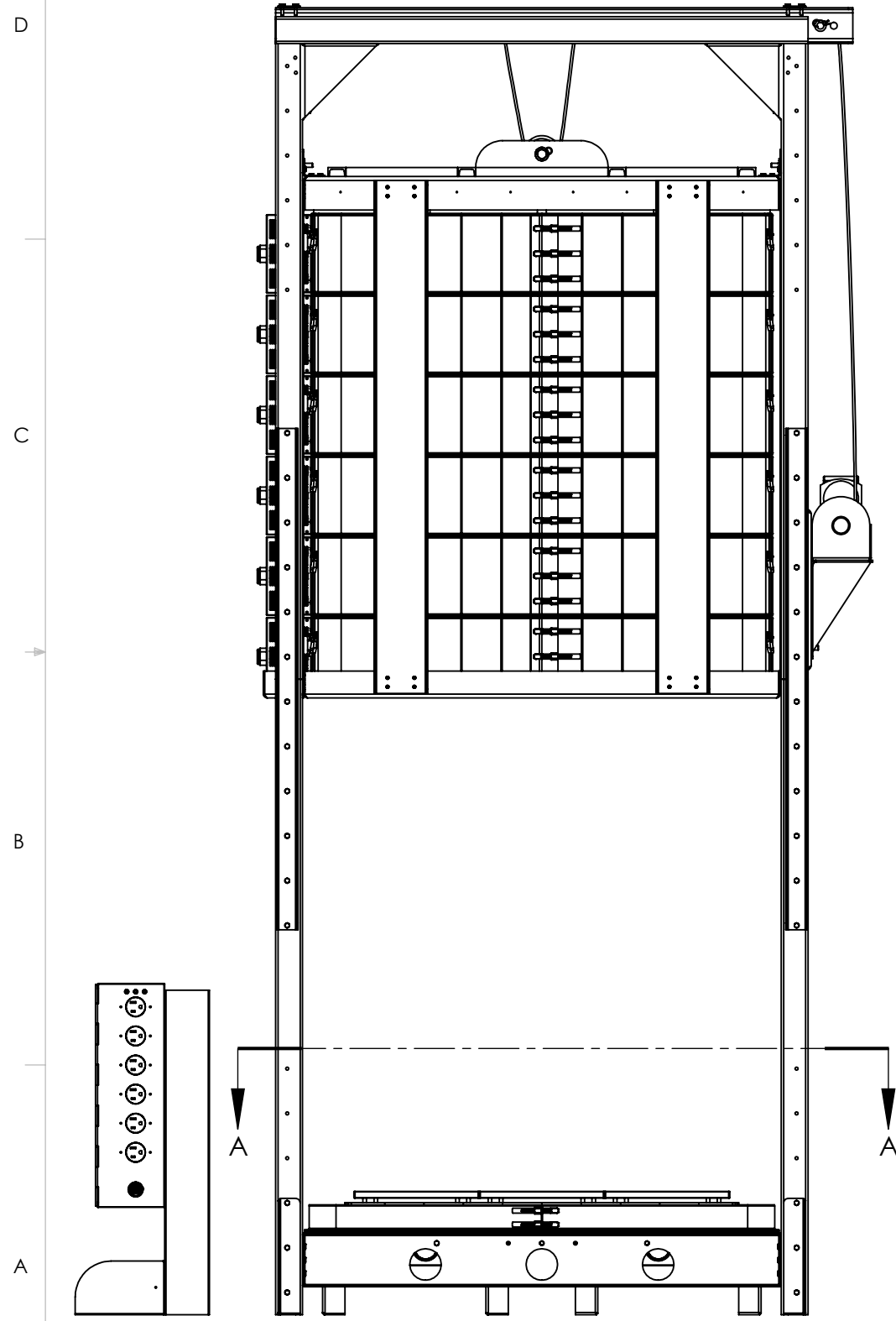
505 SHARPTOWN RD
SWEDESBORO NJ 08085
PH: (856) 294-0077
FAX: (856) 294-0070

REV
0

SHEET OF
2/4

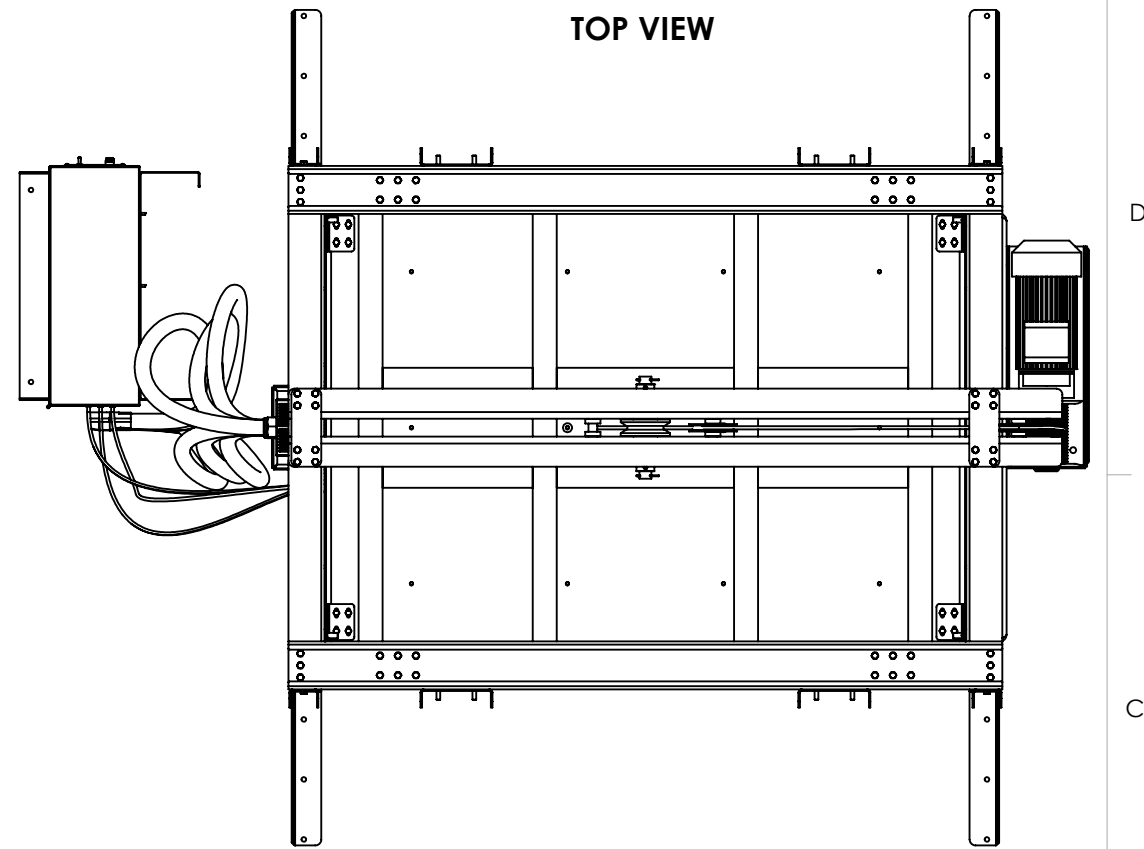
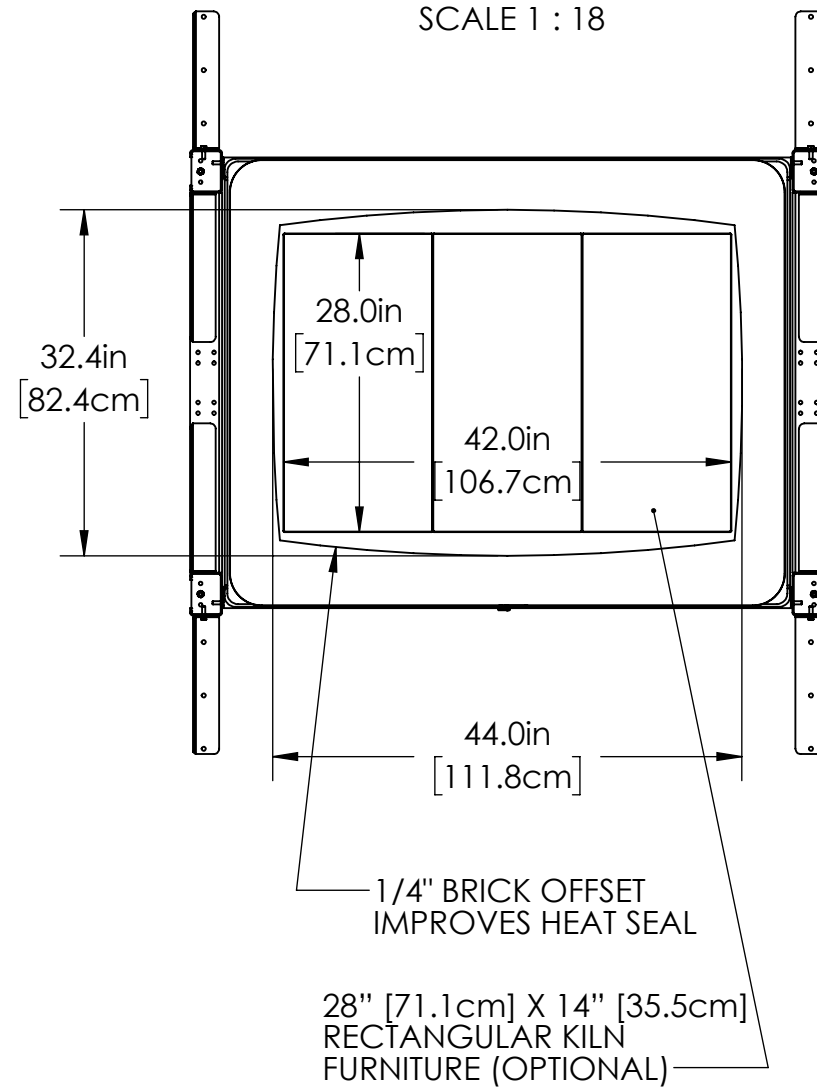
DRAWING NO.
300-001-66

INTERIOR SECTION VIEW, TOP & BOTTOM VIEWS

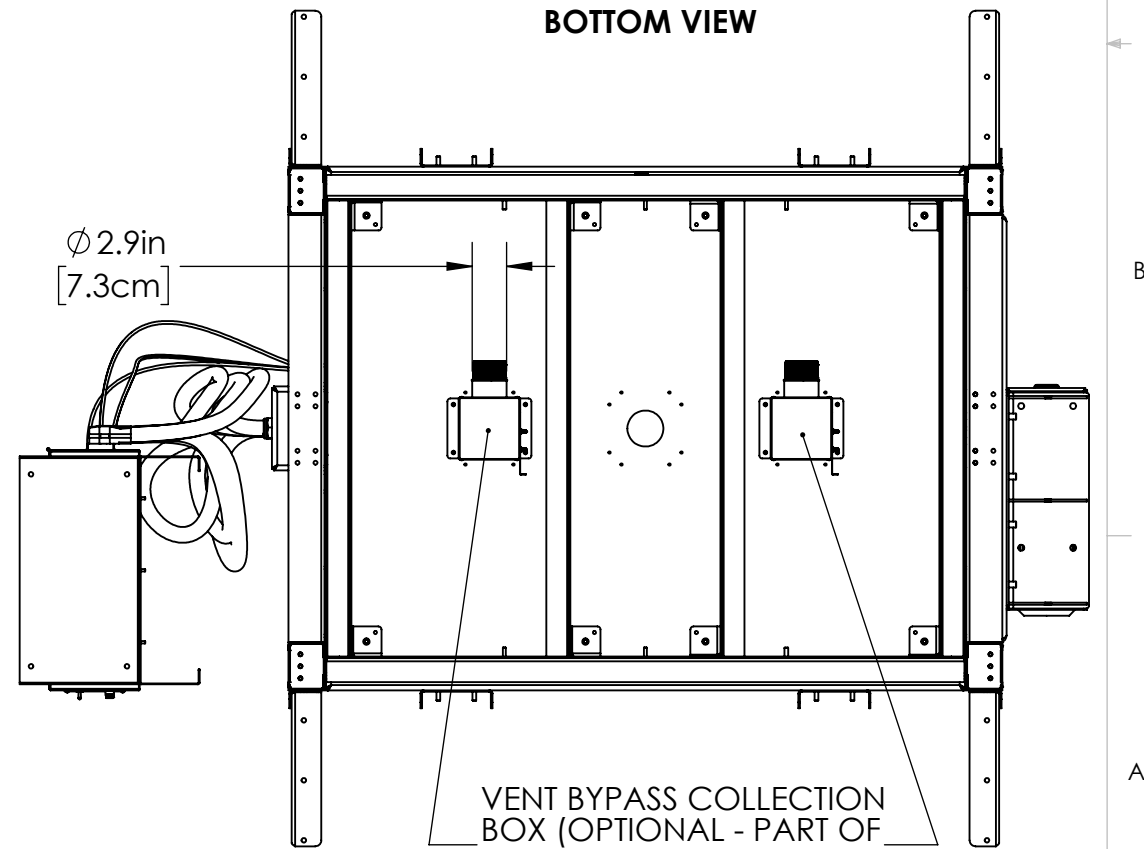


VIEW OF BRICK BOTTOM, FROM ABOVE

SECTION A-A
SCALE 1 : 18



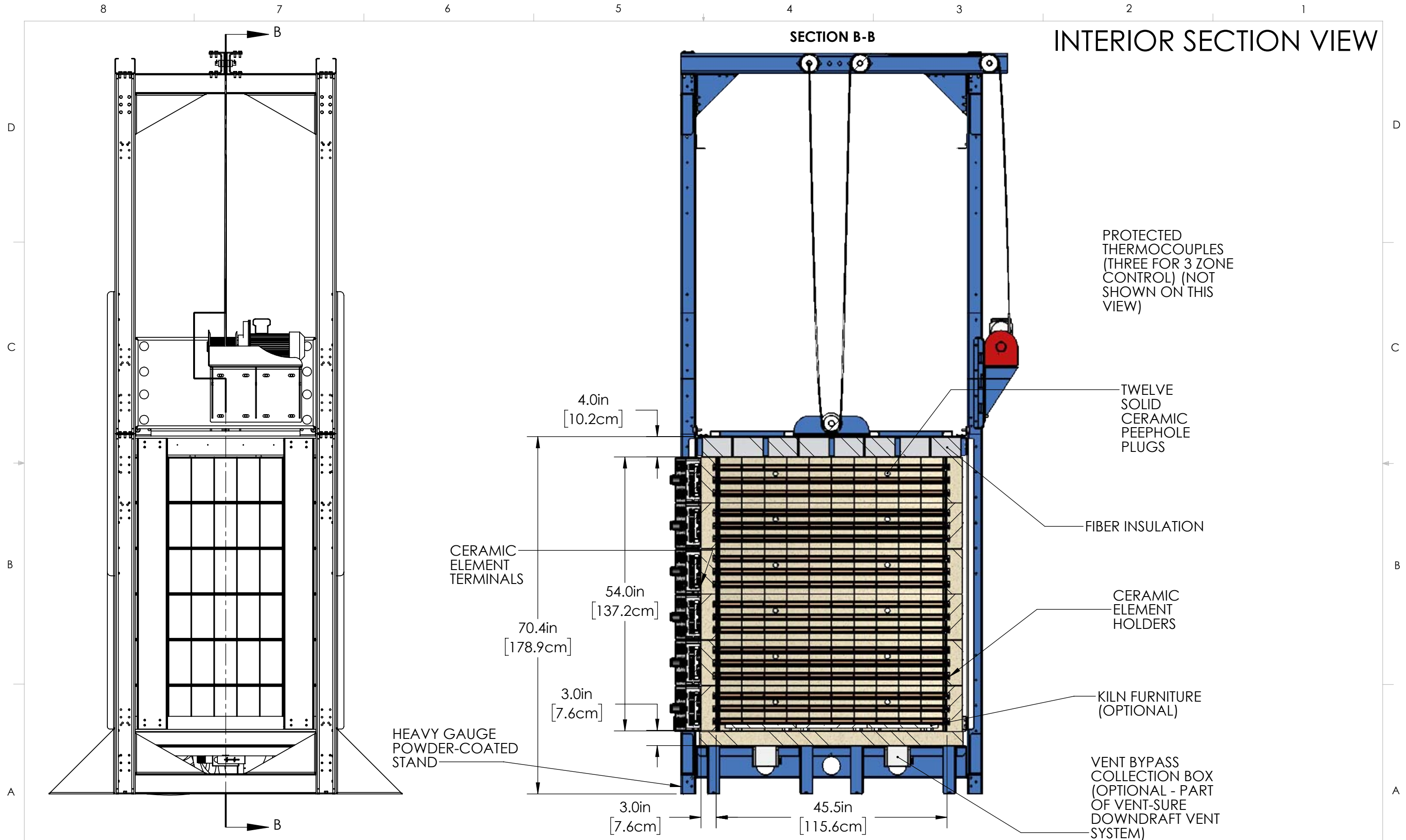
TOP VIEW



BOTTOM VIEW

Ø2.9in [7.3cm]

VENT BYPASS COLLECTION BOX (OPTIONAL - PART OF VENT-SURE DOWNDRAFT VENT SYSTEM)



OPTIONAL FURNITURE KIT: (18) 28" [71.1cm] X 14" [35.5cm] RECTANGULAR SHELVES, (18) EACH 1/2", 1", 2", 4", 6" & 8" SQUARE POSTS

THE INFORMATION CONTAINED IN THIS DRAWING IS THE SOLE PROPERTY OF L&L KILN MFG INC. ANY REPRODUCTION IN PART OR AS A WHOLE WITHOUT THE WRITTEN PERMISSION OF L&L KILN MFG INC. IS PROHIBITED.

MADE FROM
NEW

DRAWN BY
DSL

DATE
05/01/20

SCALE
1:17

TITLE
T3454-BL (3" BRICK) DAVINCI BELL-LIFT GENERAL DIMENSIONS



505 SHARPTOWN RD
SWEDESBORO NJ 08085
PH: (856) 294-0077
FAX: (856) 294-0070

REV
0

SHEET OF
4/4

DRAWING NO.
300-001-66