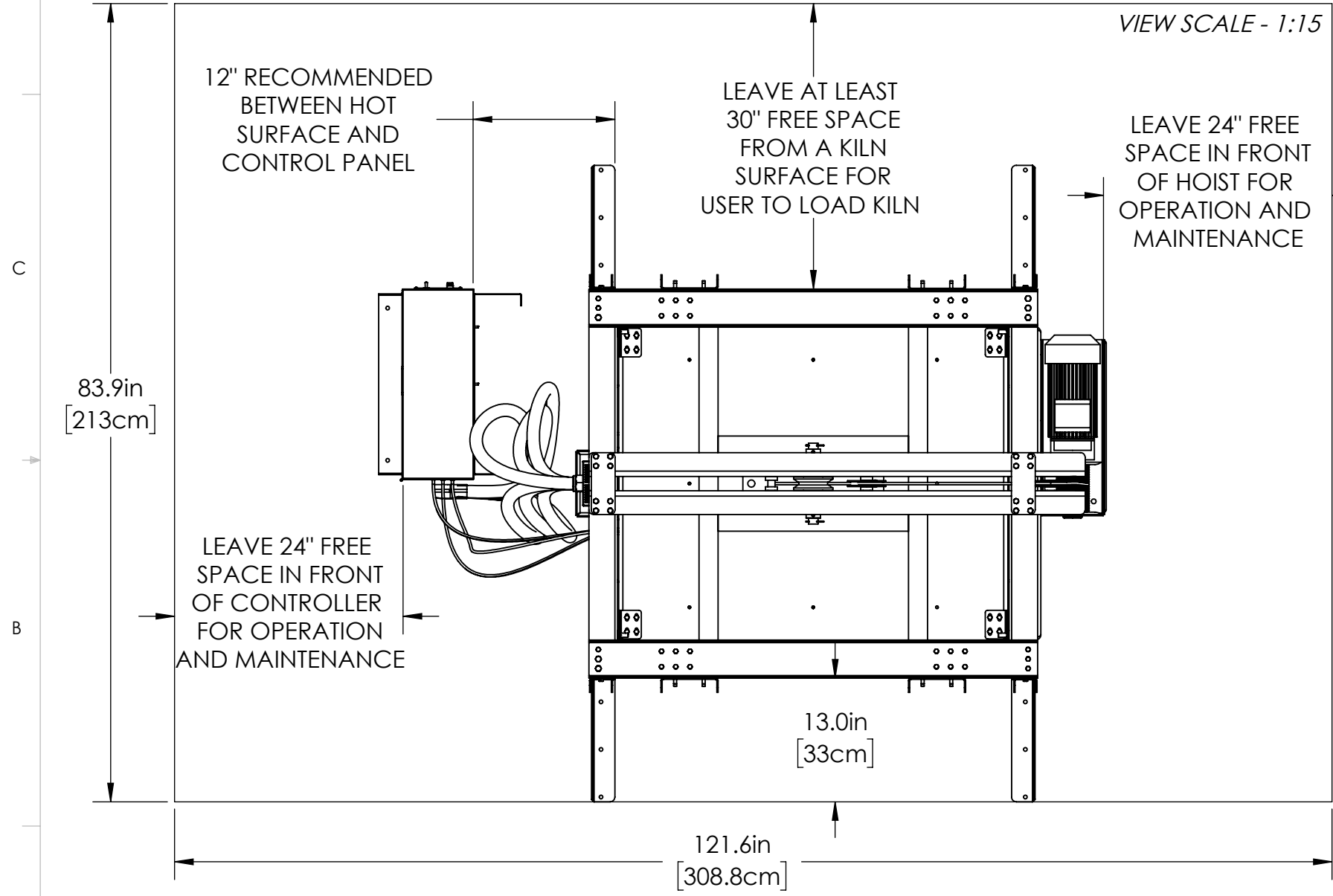


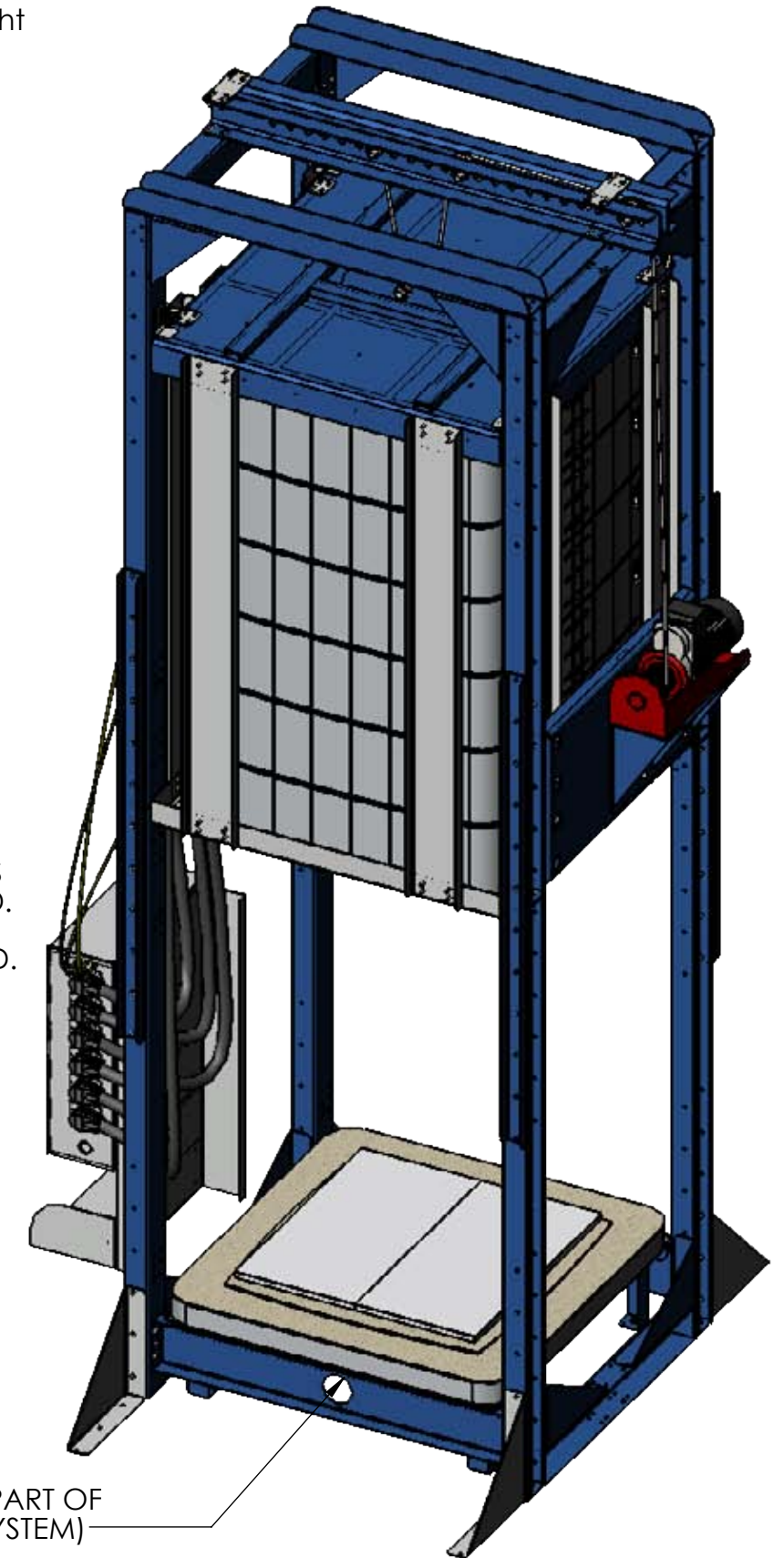
- WALL/KILN SPACING:** 12" [30.5cm] SPACING BETWEEN SIDES OF KILN AND WALLS OR OTHER OBJECTS. 18" [45.7cm] IS RECOMMENDED. LEAVE AT LEAST 18" [45.7cm] BETWEEN TWO KILNS.
- AMBIENT VENTILATION:** SEE CHART BELOW FOR RATINGS. TO CALCULATE REQUIREMENTS, SEE hotkilns.com/calculate-kiln-room-ventilation.
- KILN VENTILATION:** L&L VENT-SURE KILN VENT RECOMMENDED FOR SAFETY AND LONGER ELEMENT LIFE. OPTIONAL CONTROL ALLOWS VENT TO BE TURNED ON AND OFF WITH CONTROL.

- OTHER INFO:** REFER TO INSTALLATION INSTRUCTIONS AND CAUTIONS INSTRUCTIONS FOR OTHER REQUIREMENTS AND SAFETY INFORMATION. REFER TO WIRING DIAGRAM FOR ELECTRICAL HOOKUP INFORMATION.
- MAX LOAD WEIGHT:** SEE hotkilns.com/load-weight
- WEIGHT OF KILN:** 1940 LBS, 880 KG

CLEARANCES, LAYOUT & INSTALLATION



THIS MODEL IS DIRECT WIRED. THERE IS NO POWER CORD.



BTUS/ KILOJOULES PER HOUR NEEDED TO BE VENTED WITH AMBIENT ROOM VENTILATION (THIS IS IN ADDITION TO KILN VENTING):

AT TEMP F	BTUS	AT TEMP C	KILOJOULES
1800F	34346	980C	36237
2000F	40404	1095C	42628
2232F	48043	1222C	50688
2350F	52180	1285C	55053

THE INFORMATION CONTAINED IN THIS DRAWING IS THE SOLE PROPERTY OF L&L KILN MFG INC. ANY REPRODUCTION IN PART OR AS A WHOLE WITHOUT THE WRITTEN PERMISSION OF L&L KILN MFG INC. IS PROHIBITED.

MADE FROM
NEW

DRAWN BY
DSL

DATE
05/01/20

SCALE
1:18

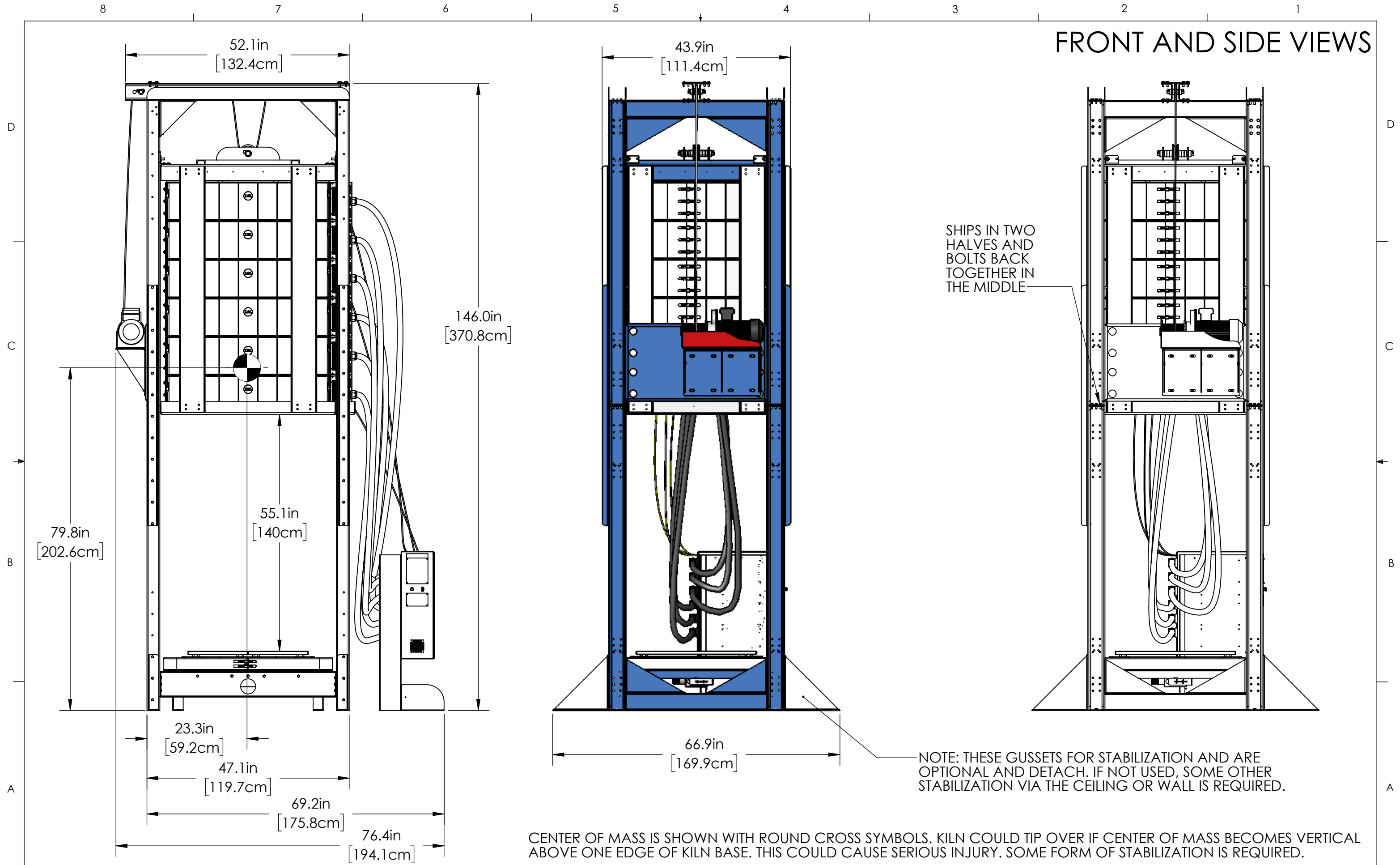
TITLE
X3254-BL (3" BRICK) DAVINCI BELL-LIFT GENERAL DIMENSIONS

L&L Kilns
hotkilns.com

505 SHARPTOWN RD
SWEDESBORO NJ 08085
PH: (856) 294-0077
FAX: (856) 294-0070

REV 0 SHEET OF 1/4 DRAWING NO. 300-001-46

FRONT AND SIDE VIEWS



THE INFORMATION CONTAINED IN THIS DRAWING IS THE SOLE PROPERTY OF L&L KILN MFG INC. ANY REPRODUCTION IN PART OR AS A WHOLE WITHOUT THE WRITTEN PERMISSION OF L&L KILN MFG INC. IS PROHIBITED.

MADE FROM
NEW

DRAWN BY
DSL

DATE
05/01/20

SCALE
1:20

TITLE
X3254-BL (3" BRICK) DAVINCI BELL-LIFT GENERAL DIMENSIONS



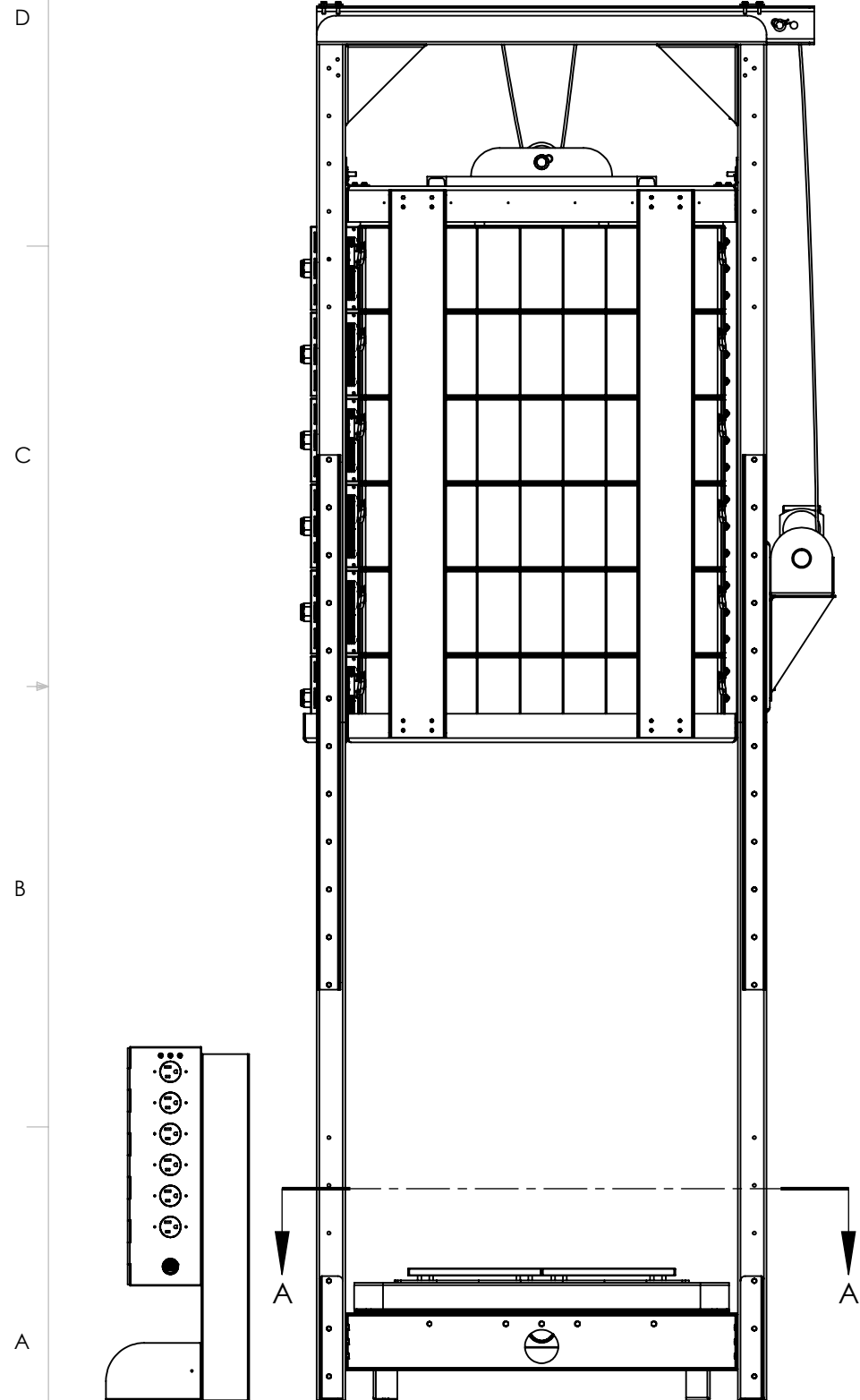
505 SHARPTOWN RD
SWEDESBORO NJ 08085
PH: (856) 294-0077
FAX: (856) 294-0070

REV
0

SHEET OF
2/4

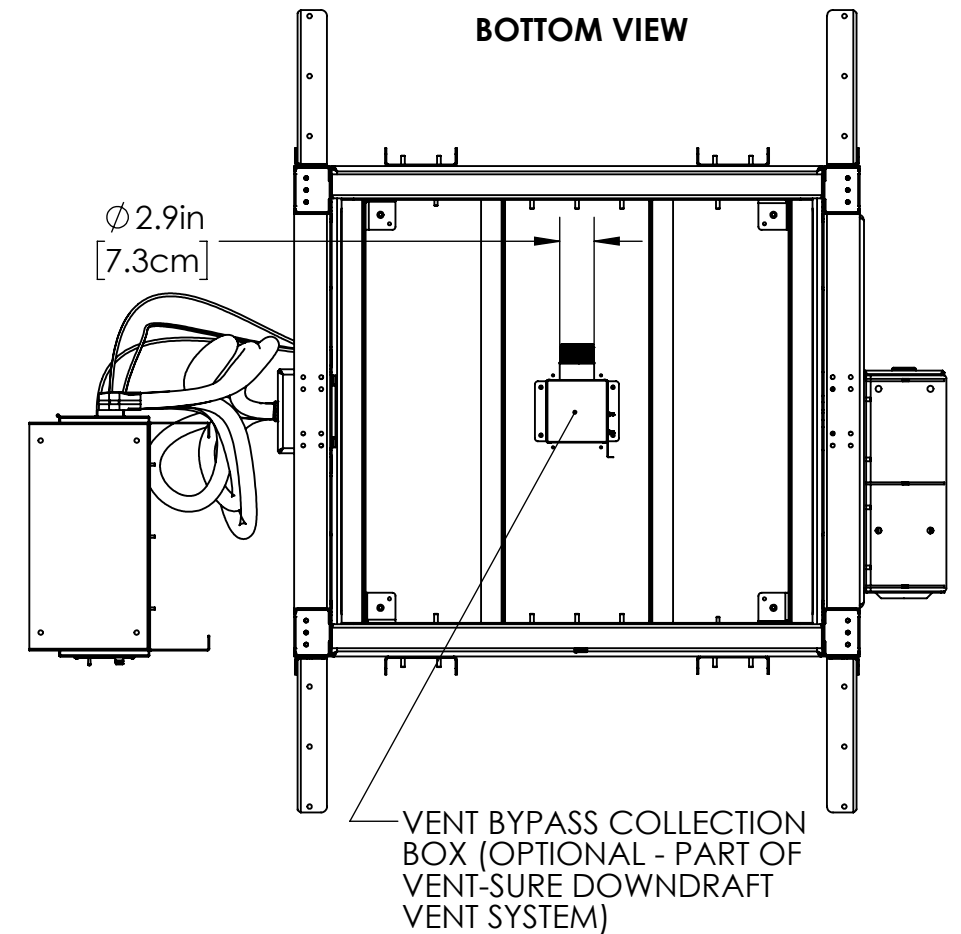
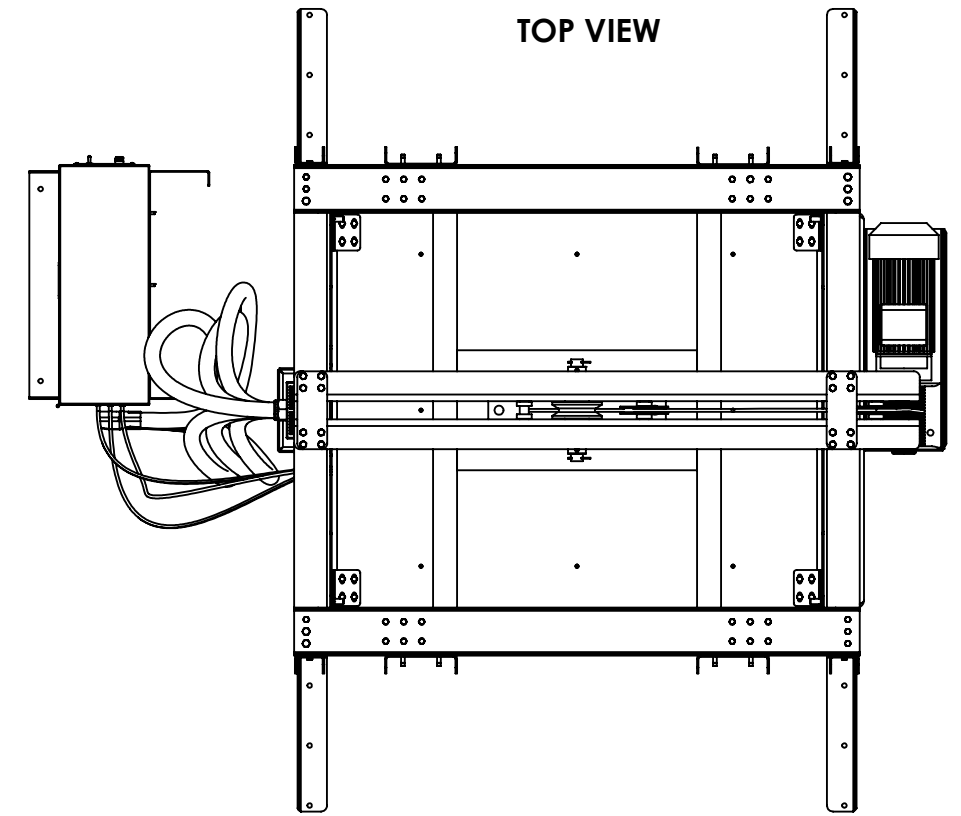
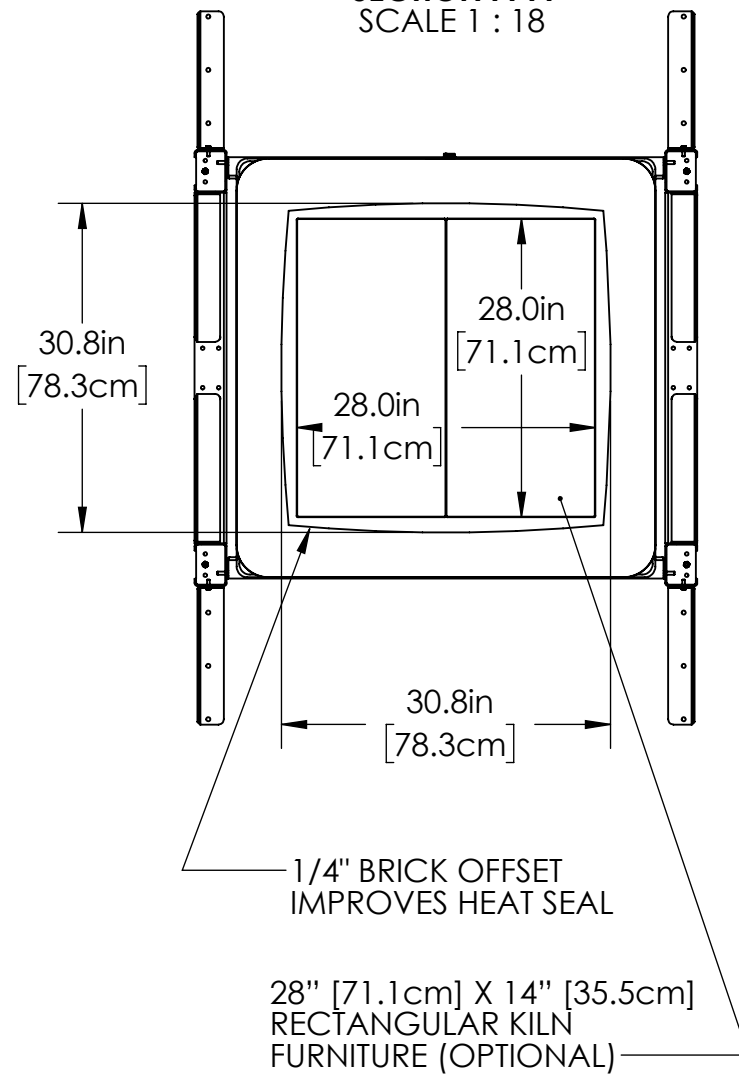
DRAWING NO.
300-001-46

INTERIOR SECTION VIEW, TOP & BOTTOM VIEWS



VIEW OF BRICK BOTTOM, FROM ABOVE

SECTION A-A
SCALE 1 : 18



THE INFORMATION CONTAINED IN THIS DRAWING IS THE SOLE PROPERTY OF L&L KILN MFG INC. ANY REPRODUCTION IN PART OR AS A WHOLE WITHOUT THE WRITTEN PERMISSION OF L&L KILN MFG INC. IS PROHIBITED.

MADE FROM
NEW

DRAWN BY
DSL

DATE
05/01/20

SCALE
1:16

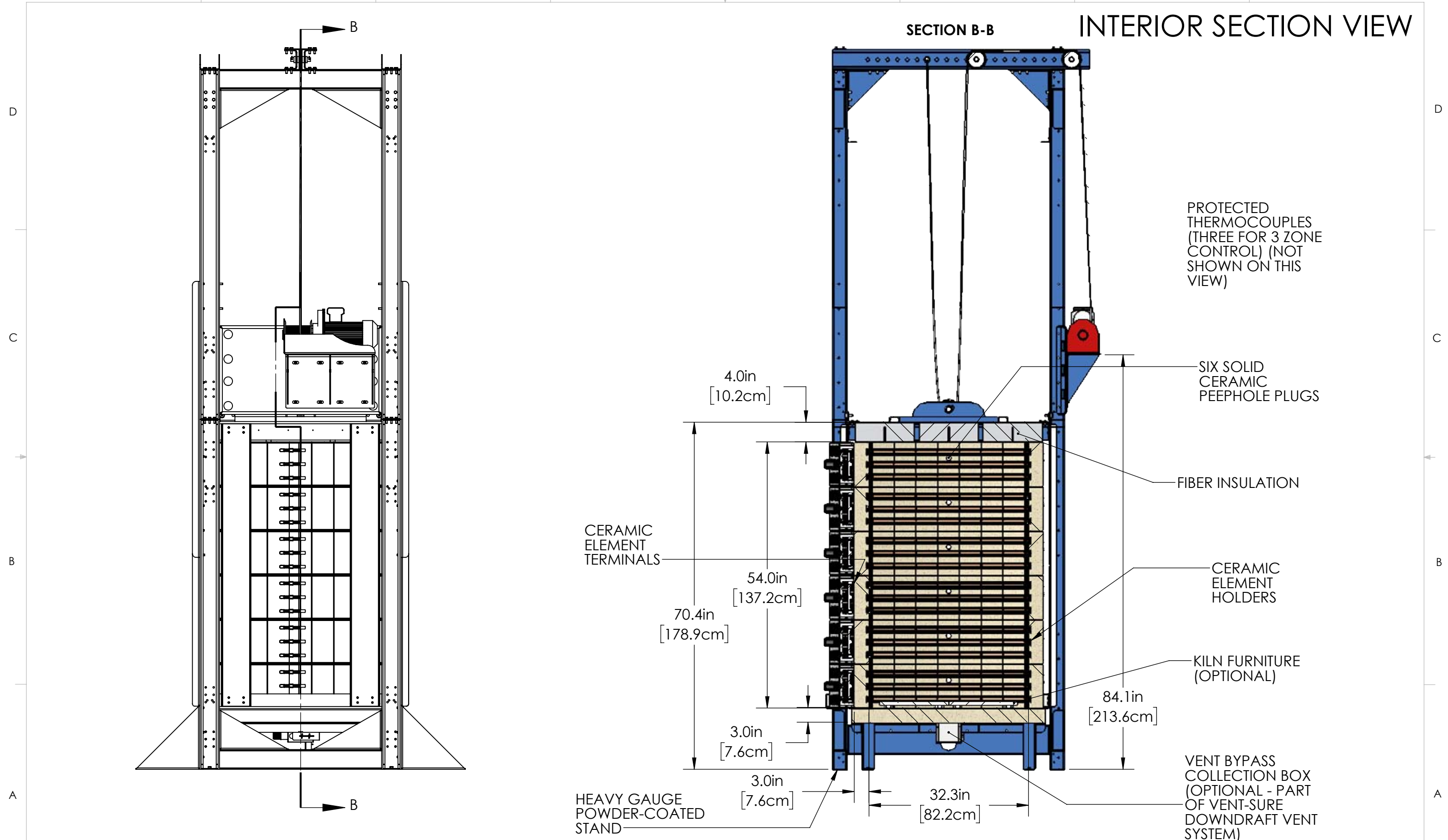
TITLE
X3254-BL (3" BRICK) DAVINCI BELL-LIFT GENERAL DIMENSIONS

L&L Kilns
hotkilns.com


505 SHARPTOWN RD
SWEDESBORO NJ 08085
PH: (856) 294-0077
FAX: (856) 294-0070

REV 0
SHEET OF 3/4
DRAWING NO. 300-001-46

8 7 6 5 4 3 2 1



OPTIONAL FURNITURE KIT: (12) 28" [71.1cm] X 14" [35.5cm] RECTANGULAR SHELVES, (12) EACH 1/2", 1", 2", 4", 6" & 8" SQUARE POSTS

THE INFORMATION CONTAINED IN THIS DRAWING IS THE SOLE PROPERTY OF L&L KILN MFG INC. ANY REPRODUCTION IN PART OR AS A WHOLE WITHOUT THE WRITTEN PERMISSION OF L&L KILN MFG INC. IS PROHIBITED.	MADE FROM	DRAWN BY	DATE	SCALE	TITLE	 505 SHARPTOWN RD SWEDESBORO NJ 08085 PH: (856) 294-0077 FAX: (856) 294-0070	REV	SHEET OF	DRAWING NO.
	NEW	DSL	05/01/20	1:18	X3254-BL (3" BRICK) DAVINCI BELL-LIFT GENERAL DIMENSIONS		0	4/4	300-001-46

8 7 6 5 4 3 2 1