

- WALL/KILN SPACING:** 12" [30.5cm] SPACING BETWEEN SIDES OF KILN AND WALLS OR OTHER OBJECTS. 18" [45.7cm] IS RECOMMENDED. LEAVE AT LEAST 18" [45.7cm] BETWEEN TWO KILNS.
- AMBIENT VENTILATION:** SEE CHART BELOW FOR RATINGS. TO CALCULATE REQUIREMENTS, SEE hotkilns.com/calculate-kiln-room-ventilation.
- KILN VENTILATION:** L&L VENT-SURE KILN VENT RECOMMENDED FOR SAFETY AND LONGER ELEMENT LIFE. OPTIONAL CONTROL ALLOWS VENT TO BE TURNED ON AND OFF WITH CONTROL.

- OTHER INFO:** REFER TO INSTALLATION INSTRUCTIONS AND CAUTIONS INSTRUCTIONS FOR OTHER REQUIREMENTS AND SAFETY INFORMATION. REFER TO WIRING DIAGRAM FOR ELECTRICAL HOOKUP INFORMATION.
- MAX LOAD WEIGHT:** SEE hotkilns.com/load-weight
- WEIGHT OF KILN:** 1780 LBS, 807 KG

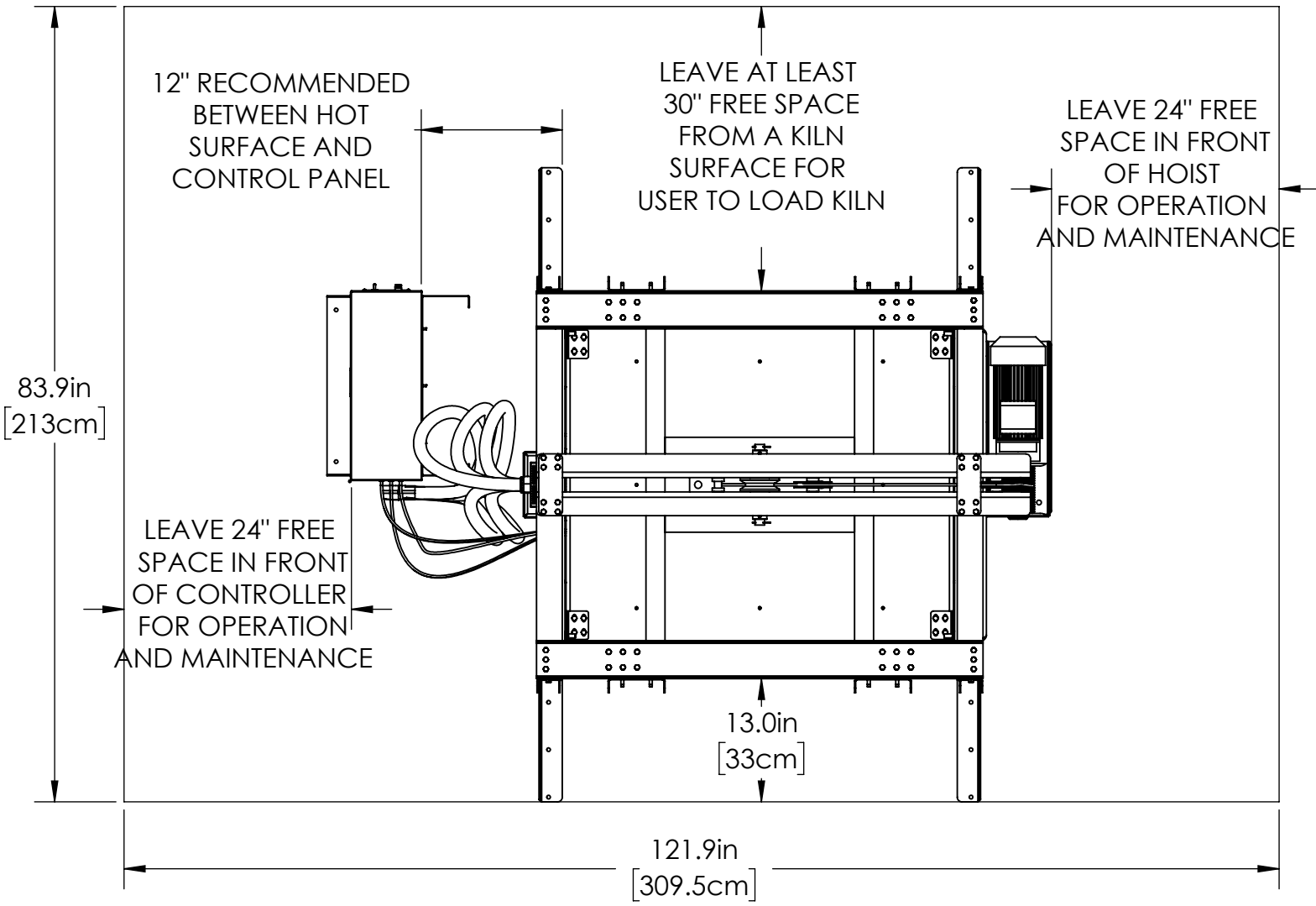
CLEARANCES, LAYOUT & INSTALLATION

D

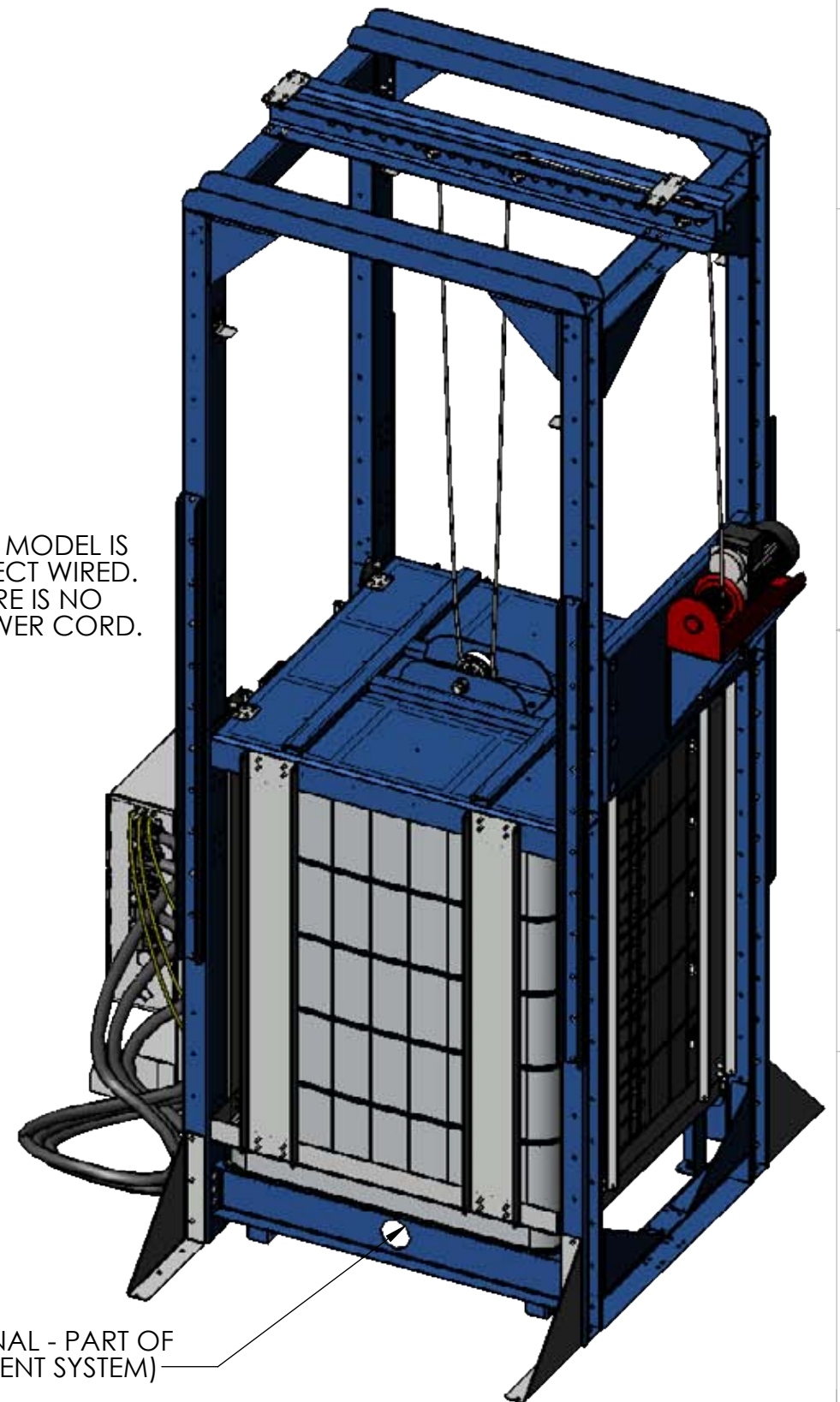
C

B

A



THIS MODEL IS DIRECT WIRED. THERE IS NO POWER CORD.



VENT TUBE OUTLET (OPTIONAL - PART OF VENT-SURE DOWNDRAFT VENT SYSTEM)

BTUS/ KILOJOULES PER HOUR NEEDED TO BE VENTED WITH AMBIENT ROOM VENTILATION (THIS IS IN ADDITION TO KILN VENTING):

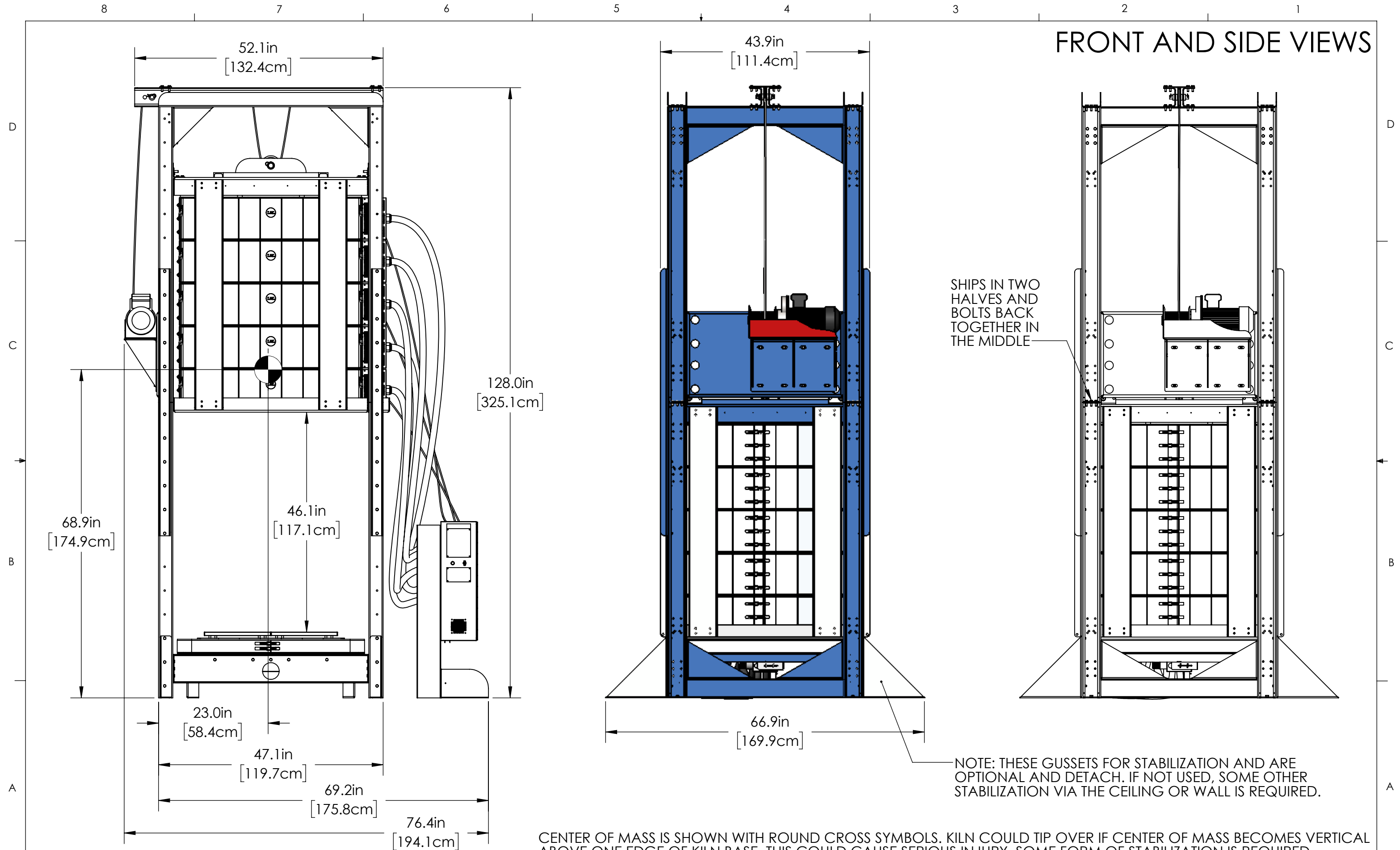
AT TEMP F	BTUS	AT TEMP C	KILOJOULES
1800F	29716	980C	31353
2000F	34992	1095C	36919
2232F	41654	1222C	43948
2350F	45266	1285C	47759

THE INFORMATION CONTAINED IN THIS DRAWING IS THE SOLE PROPERTY OF L&L KILN MFG INC. ANY REPRODUCTION IN PART OR AS A WHOLE WITHOUT THE WRITTEN PERMISSION OF L&L KILN MFG INC. IS PROHIBITED.

MADE FROM NEW DRAWN BY DSL DATE 05/01/20 SCALE 1:17 TITLE X3245-BL (3" BRICK) DAVINCI BELL-LIFT GENERAL DIMENSIONS

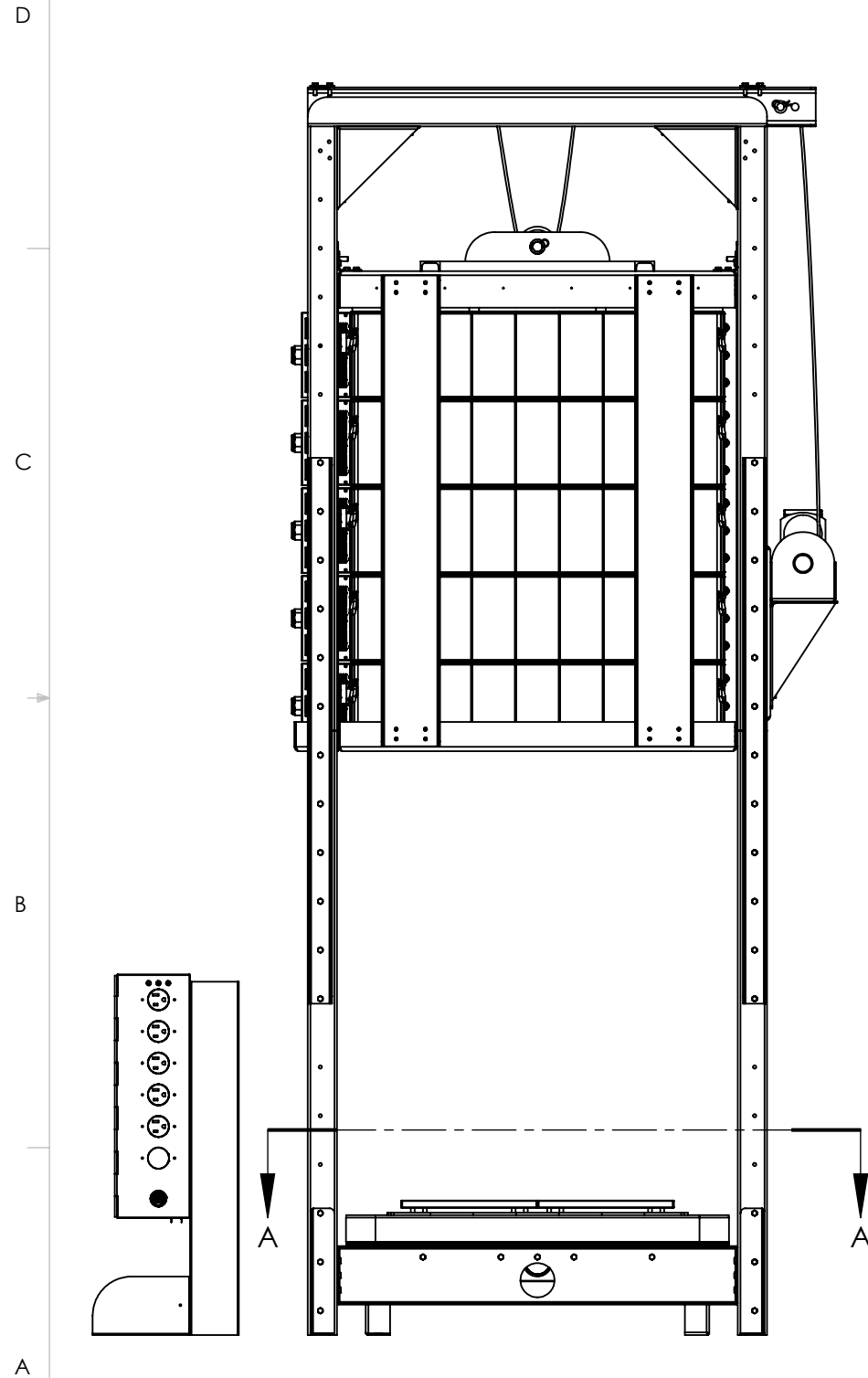
505 SHARPTOWN RD SWEDESBORO NJ 08085 PH: (856) 294-0077 FAX: (856) 294-0070
 L&L Kilns
 hotkilns.com
 REV 0 SHEET OF 1/4 DRAWING NO. 300-001-45

FRONT AND SIDE VIEWS



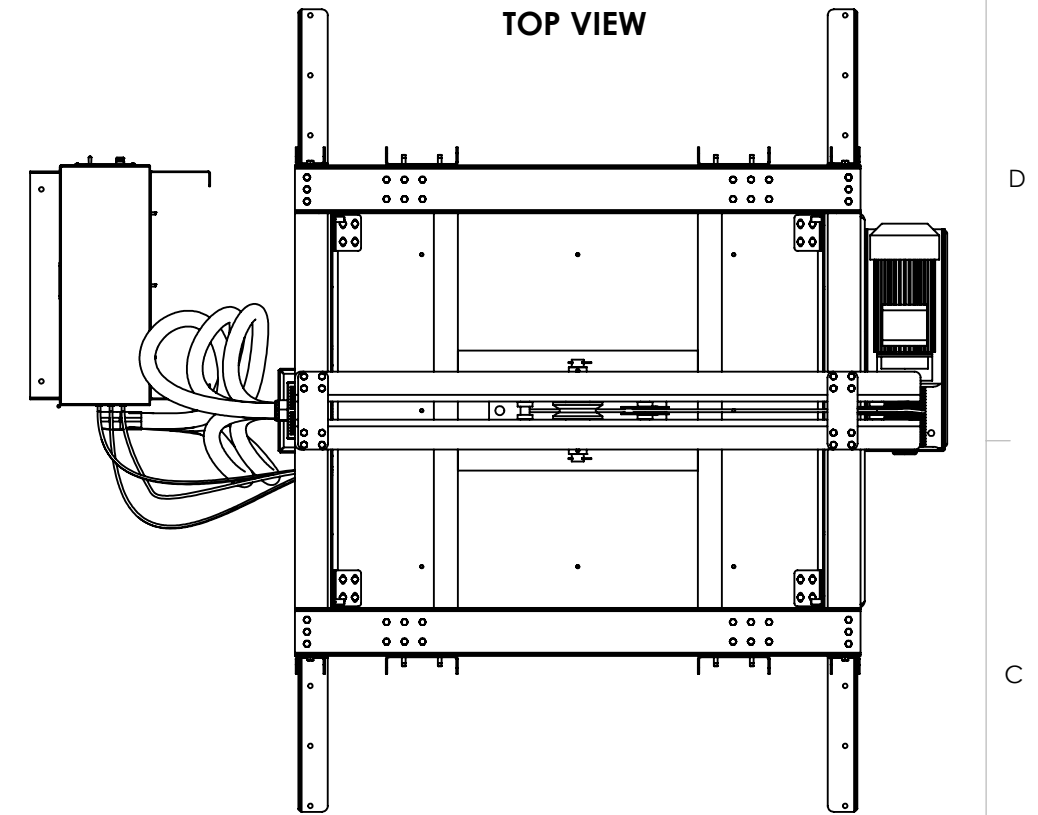
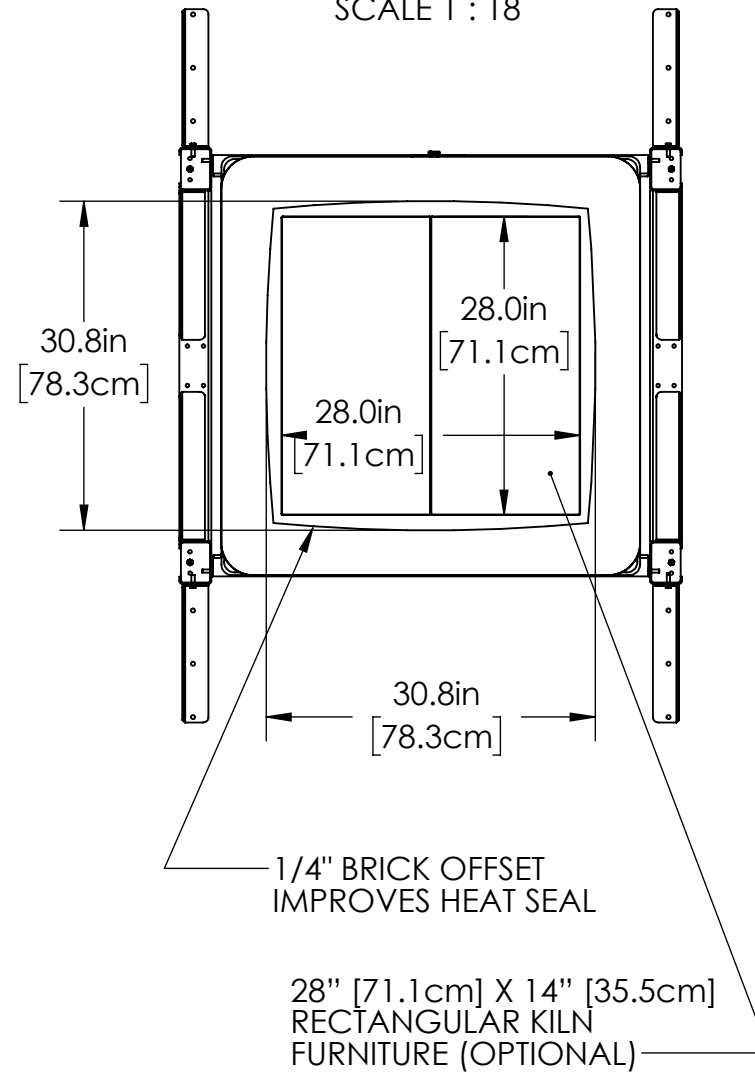
CENTER OF MASS IS SHOWN WITH ROUND CROSS SYMBOLS. KILN COULD TIP OVER IF CENTER OF MASS BECOMES VERTICAL ABOVE ONE EDGE OF KILN BASE. THIS COULD CAUSE SERIOUS INJURY. SOME FORM OF STABILIZATION IS REQUIRED.

INTERIOR SECTION VIEW, TOP & BOTTOM VIEWS

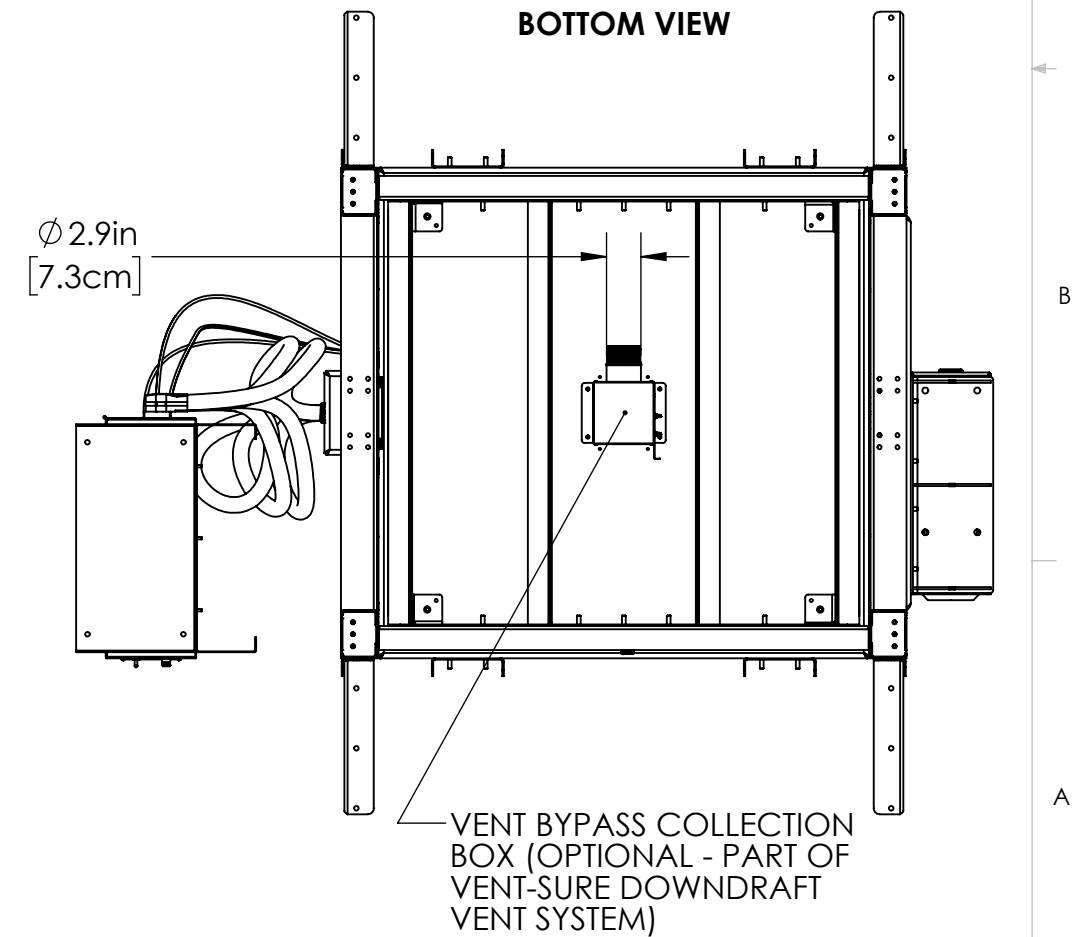


VIEW OF BRICK BOTTOM, FROM ABOVE

SECTION A-A
SCALE 1 : 18



BOTTOM VIEW



THE INFORMATION CONTAINED IN THIS DRAWING IS THE SOLE PROPERTY OF L&L KILN MFG INC. ANY REPRODUCTION IN PART OR AS A WHOLE WITHOUT THE WRITTEN PERMISSION OF L&L KILN MFG INC. IS PROHIBITED.

MADE FROM
NEW

DRAWN BY
DSL

DATE
05/01/20

SCALE
1:16

TITLE
X3245-BL (3" BRICK) DAVINCI BELL-LIFT GENERAL DIMENSIONS

L&L Kilns
hotkilns.com

505 SHARPTOWN RD
SWEDESBORO NJ 08085
PH: (856) 294-0077
FAX: (856) 294-0070

REV 0
SHEET OF 3/4
DRAWING NO. 300-001-45

8

7

6

5

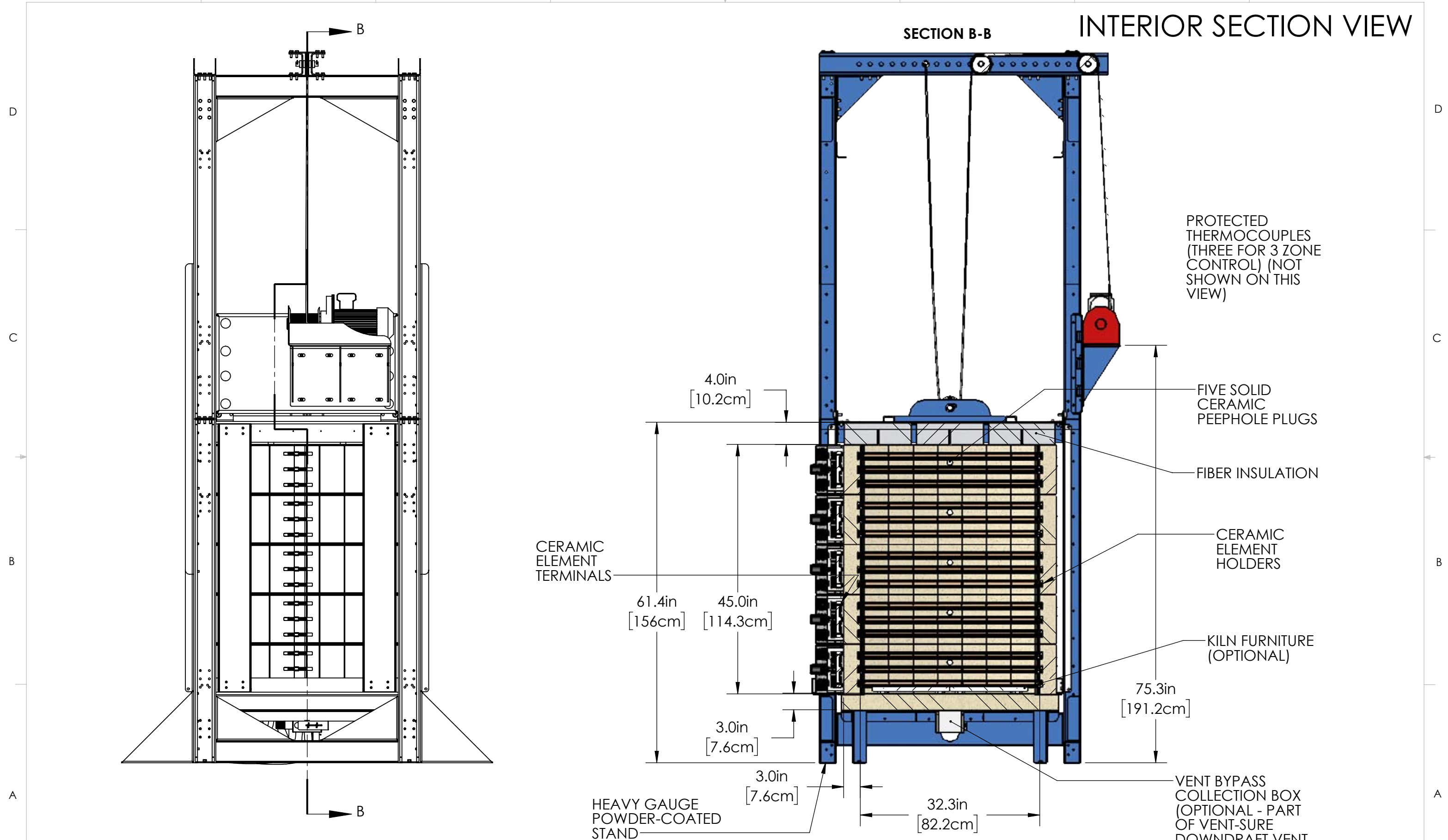
4

3

2

1

8 7 6 5 4 3 2 1



OPTIONAL FURNITURE KIT: (10) 28" [71.1cm] X 14" [35.5cm] RECTANGULAR SHELVES, (12) EACH 1/2", 1", 2", 4", 6" & 8" SQUARE POSTS

THE INFORMATION CONTAINED IN THIS DRAWING IS THE SOLE PROPERTY OF L&L KILN MFG INC. ANY REPRODUCTION IN PART OR AS A WHOLE WITHOUT THE WRITTEN PERMISSION OF L&L KILN MFG INC. IS PROHIBITED.	MADE FROM NEW	DRAWN BY DSL	DATE 05/01/20	SCALE 1:16	TITLE X3245-BL (3" BRICK) DAVINCI BELL-LIFT GENERAL DIMENSIONS	 505 SHARPTOWN RD SWEDESBORO NJ 08085 PH: (856) 294-0077 FAX: (856) 294-0070	REV 0	SHEET OF 4/4	DRAWING NO. 300-001-45
---	------------------	-----------------	------------------	---------------	---	--	----------	-----------------	---------------------------

8 7 6 5 4 3 2 1