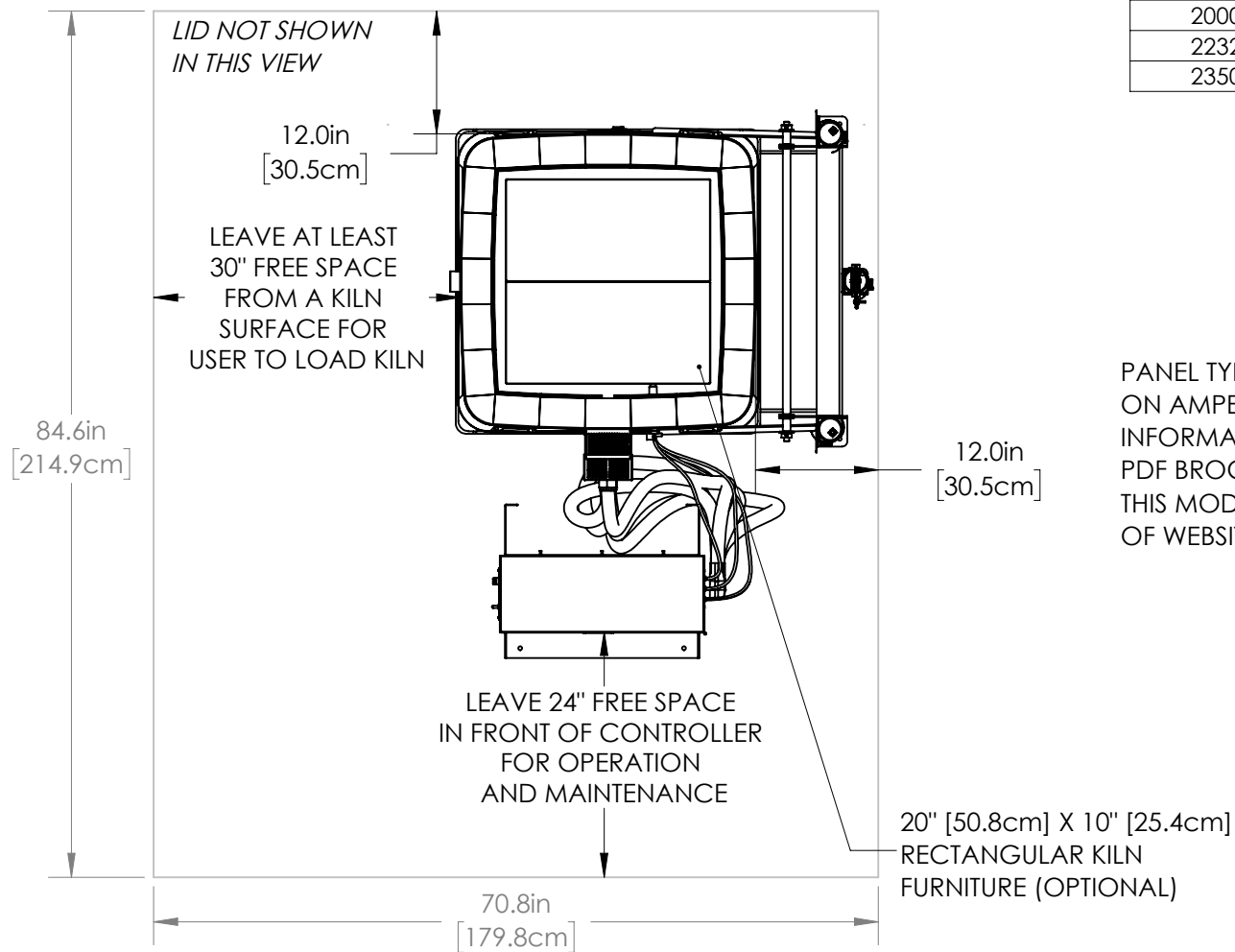


- WALL/KILN SPACING:** 12" [30.5cm] SPACING BETWEEN SIDES OF KILN AND WALLS OR OTHER OBJECTS. 18" [45.7cm] IS RECOMMENDED. LEAVE AT LEAST 18" [45.7cm] BETWEEN TWO KILNS.
- AMBIENT VENTILATION:** SEE CHART TO RIGHT FOR RATINGS. TO CALCULATE REQUIREMENTS, SEE hotkilns.com/calculate-kiln-room-ventilation.
- KILN VENTILATION:** L&L VENT-SURE KILN VENT RECOMMENDED FOR SAFETY AND LONGER ELEMENT LIFE. OPTIONAL CONTROL ALLOWS VENT TO BE TURNED ON AND OFF WITH CONTROL.

- OTHER INFO:** REFER TO INSTALLATION INSTRUCTIONS AND CAUTIONS INSTRUCTIONS FOR OTHER REQUIREMENTS AND SAFETY INFORMATION. REFER TO WIRING DIAGRAM FOR ELECTRICAL HOOKUP INFORMATION.
- MAX LOAD WEIGHT:** SEE hotkilns.com/load-weight.
- WEIGHT OF KILN:** 770 LBS, 349 KG

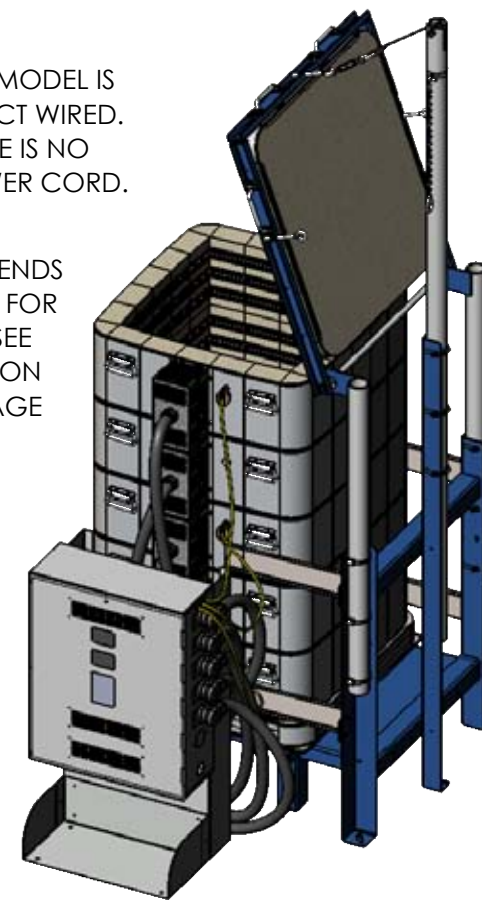
BTUS/ KILOJOULES PER HOUR NEEDED TO BE VENTED WITH AMBIENT ROOM VENTILATION (THIS IS IN ADDITION TO KILN VENTING):

AT TEMP F	BTUS	AT TEMP C	KILOJOULES
1800F	20733	980C	21874
2000F	24236	1095C	25570
2232F	28614	1222C	30190
2350F	30969	1285C	32674



THIS MODEL IS DIRECT WIRED. THERE IS NO POWER CORD.

PANEL TYPE DEPENDS ON AMPERAGE. FOR INFORMATION, SEE PDF BROCHURE ON THIS MODEL'S PAGE OF WEBSITE.



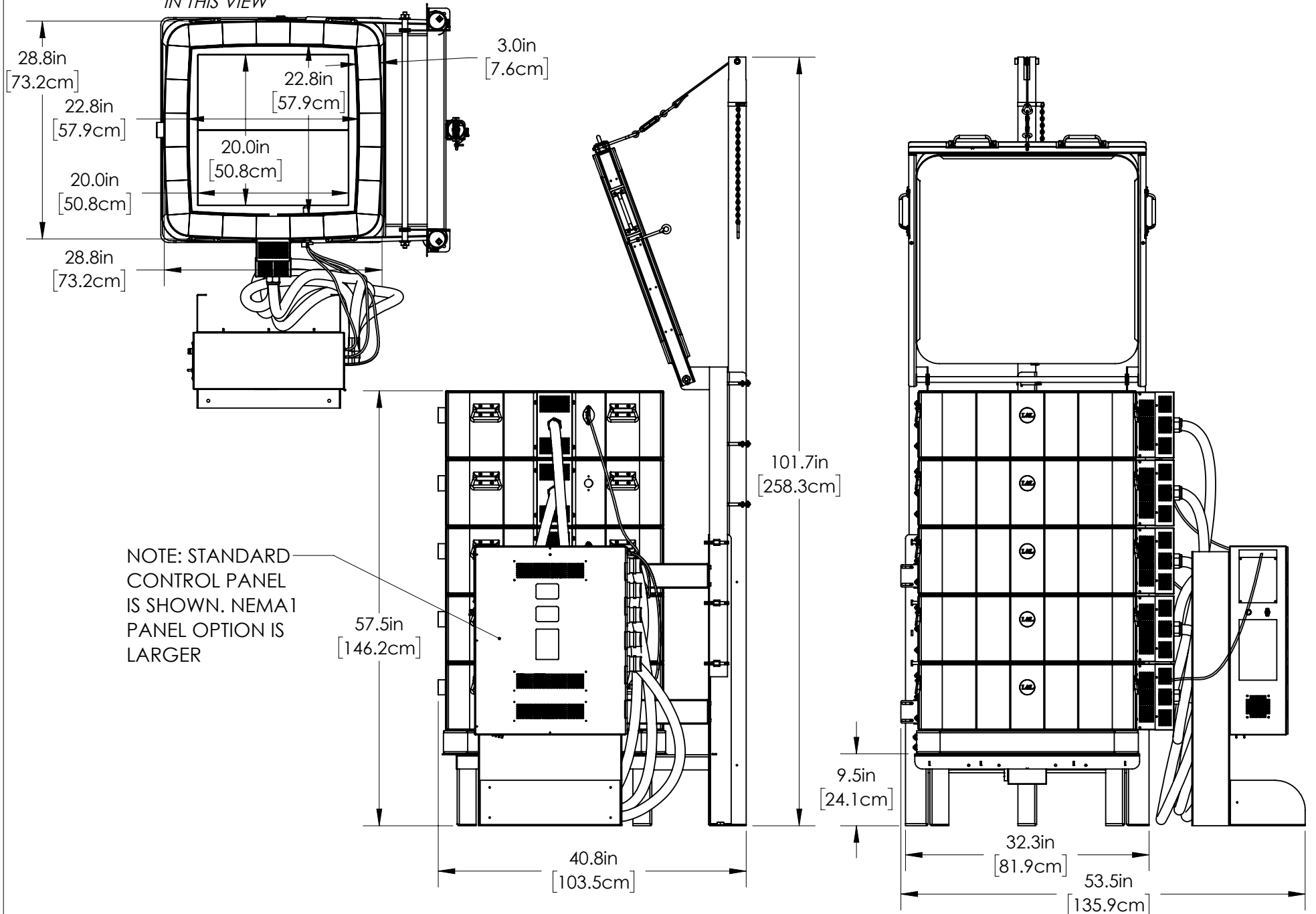
DRAWN BY	DATE	SCALE	TITLE
SJL	04/15/20	1:22	X2345-D (3" BRICK) DAVINCI GENERAL DIMENSIONS



505 SHARPTOWN RD
SWEDESBORO NJ 08085
PH: (856) 294-0077
FAX: (856) 294-0070

REV	SHEET OF	DRAWING NO.
0	1/3	300-000-20-5

LID NOT SHOWN
IN THIS VIEW



DRAWN BY
SJL

DATE
04/15/20

SCALE
1:17

TITLE
X2345-D (3" BRICK) DAVINCI GENERAL DIMENSIONS

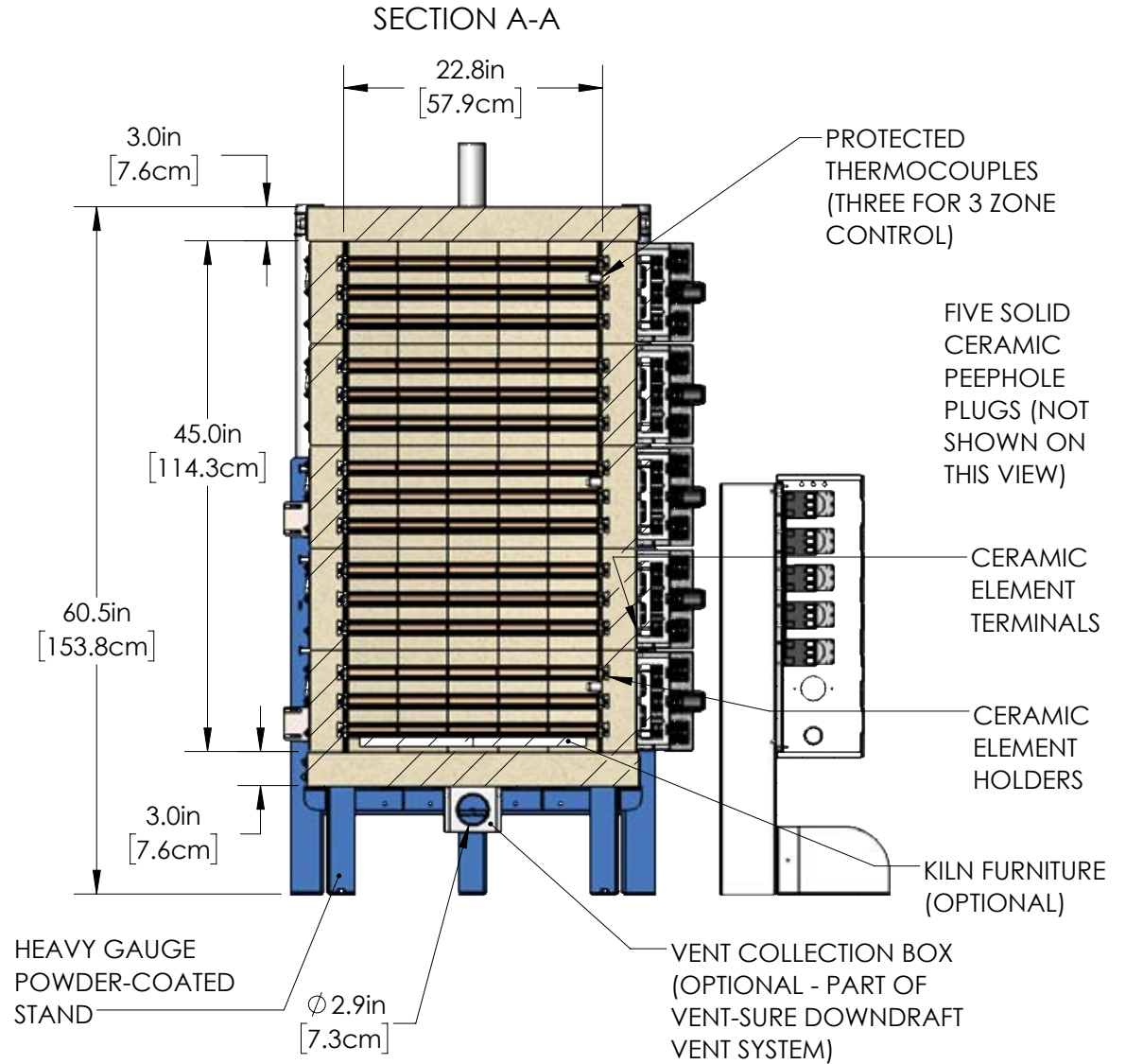
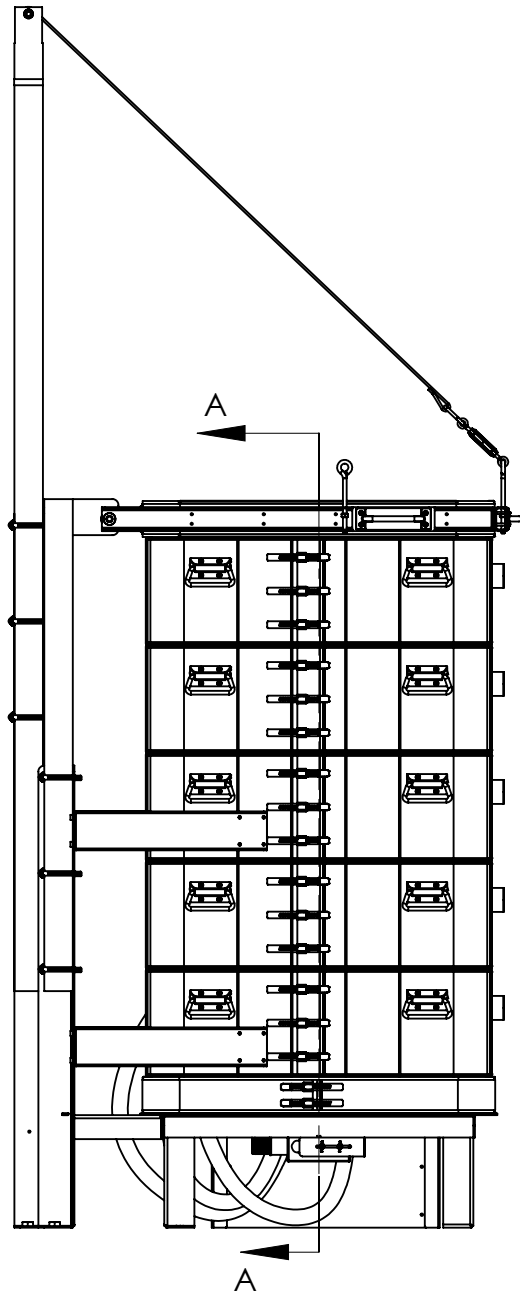
LKilns
hotkilns.com

505 SHARPTOWN RD
SWEDESBORO NJ 08085
PH: (856) 294-0077
FAX: (856) 294-0070

REV
0

SHEET OF
2/3

DRAWING NO.
300-000-20-5



OPTIONAL FURNITURE KIT: (10) 20" [50.8cm] X 10" [25.4cm] RECTANGULAR SHELVES, (12) EACH 1/2", 1", 2", 4", 6" & 8" SQUARE POSTS

DRAWN BY
SJL

DATE
04/15/20

SCALE
1:16

TITLE
X2345-D (3" BRICK) DAVINCI GENERAL DIMENSIONS

LKilns
hotkilns.com

505 SHARPTOWN RD
SWEDESBORO NJ 08085
PH: (856) 294-0077
FAX: (856) 294-0070

REV
0

SHEET OF
3/3

DRAWING NO.
300-000-20-5