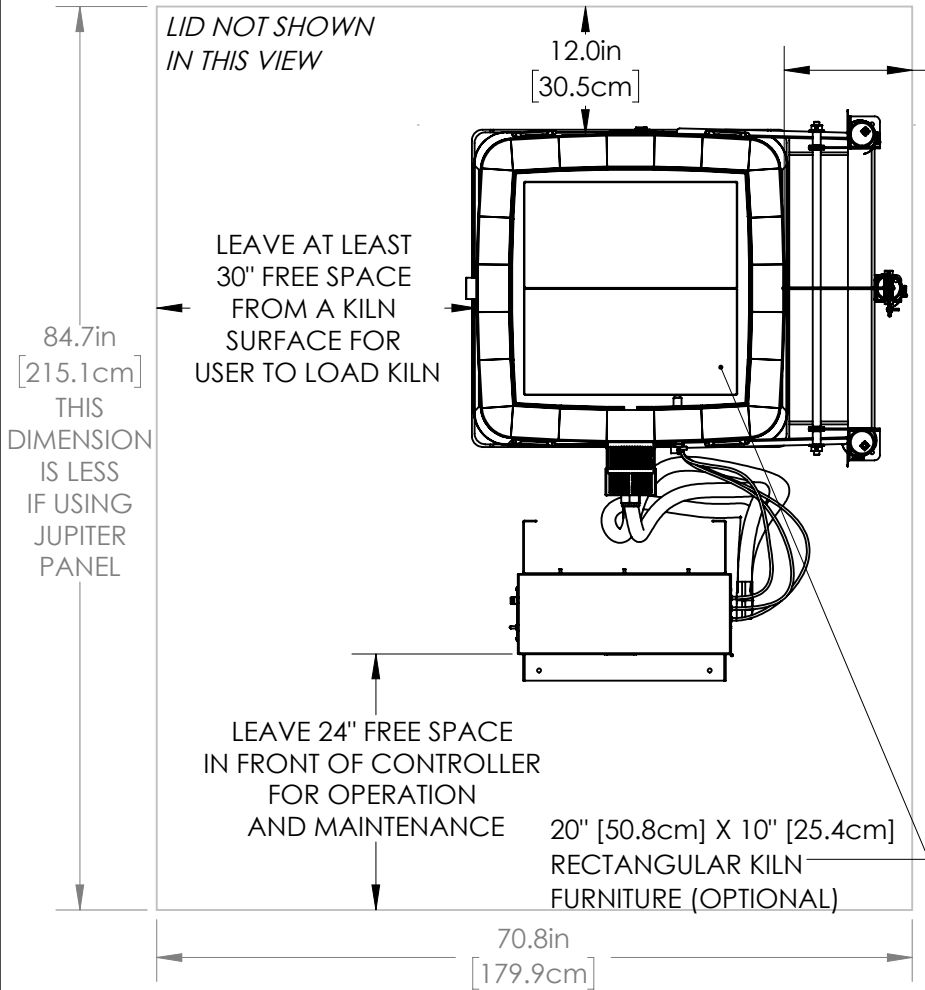


- WALL/KILN SPACING:** 12" [30.5cm] SPACING BETWEEN SIDES OF KILN AND WALLS OR OTHER OBJECTS. 18" [45.7cm] IS RECOMMENDED. LEAVE AT LEAST 18" [45.7cm] BETWEEN TWO KILNS.
- AMBIENT VENTILATION:** SEE CHART TO RIGHT FOR RATINGS. TO CALCULATE REQUIREMENTS, SEE [hotkilns.com/calculate-kiln-room-ventilation](http://hotkilns.com/calculate-kiln-room-ventilation).
- KILN VENTILATION:** L&L VENT-SURE KILN VENT RECOMMENDED FOR SAFETY AND LONGER ELEMENT LIFE. OPTIONAL CONTROL ALLOWS VENT TO BE TURNED ON AND OFF WITH CONTROL.

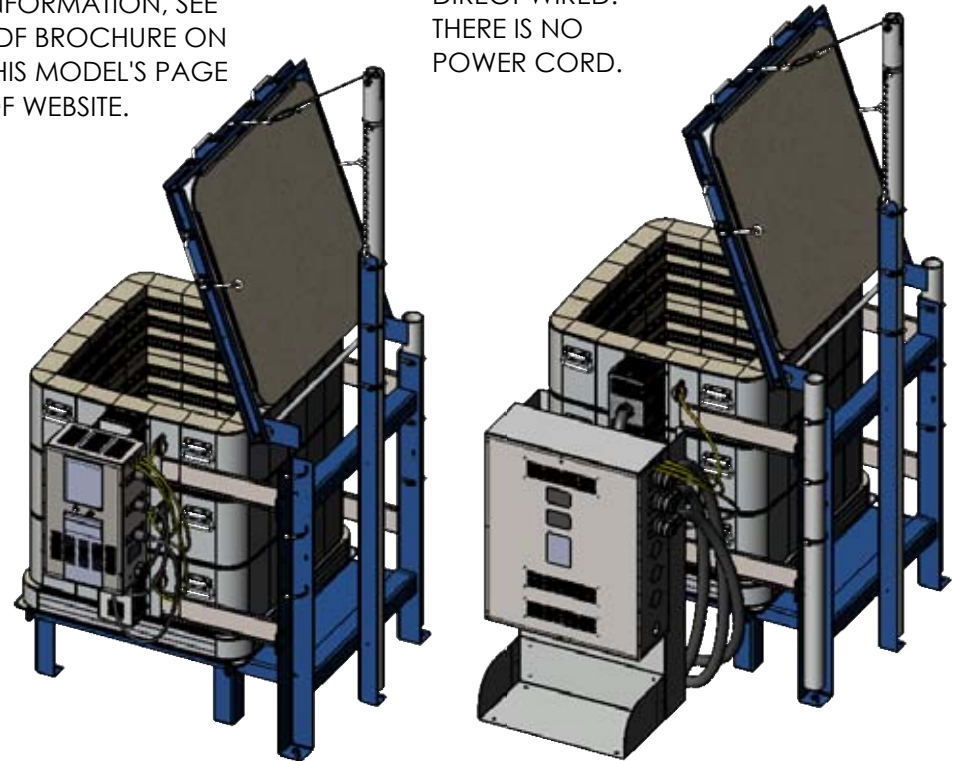
- OTHER INFO:** REFER TO INSTALLATION INSTRUCTIONS AND CAUTIONS INSTRUCTIONS FOR OTHER REQUIREMENTS AND SAFETY INFORMATION. REFER TO WIRING DIAGRAM FOR ELECTRICAL HOOKUP INFORMATION.
- MAX LOAD WEIGHT:** SEE [hotkilns.com/load-weight](http://hotkilns.com/load-weight).
- WEIGHT OF KILN:** 540 LBS, 245 KG

BTUS/ KILOJOULES PER HOUR NEEDED TO BE VENTED WITH AMBIENT ROOM VENTILATION (THIS IS IN ADDITION TO KILN VENTING):			
AT TEMP F	BTUS	AT TEMP C	KILOJOULES
1800F	14054	980C	14827
2000F	16429	1095C	17334
2232F	19398	1222C	20466
2350F	20995	1285C	22151



PANEL TYPE DEPENDS ON AMPERAGE. FOR INFORMATION, SEE PDF BROCHURE ON THIS MODEL'S PAGE OF WEBSITE.

THIS MODEL IS DIRECT WIRED. THERE IS NO POWER CORD.



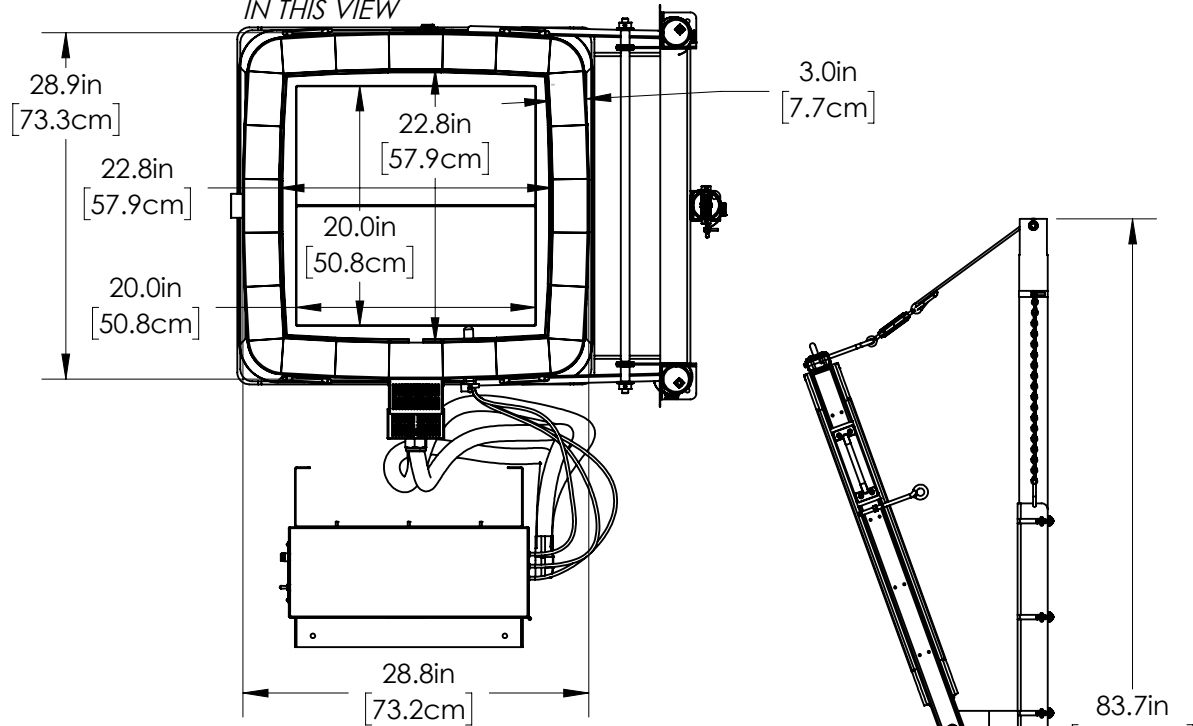
DRAWN BY S JL	DATE 04/15/20	SCALE 1:22	TITLE X2327-D (3" BRICK) DAVINCI GENERAL DIMENSIONS
------------------	------------------	---------------	--



505 SHARPTOWN RD  
SWEDESBORO NJ 08085  
PH: (856) 294-0077  
FAX: (856) 294-0070

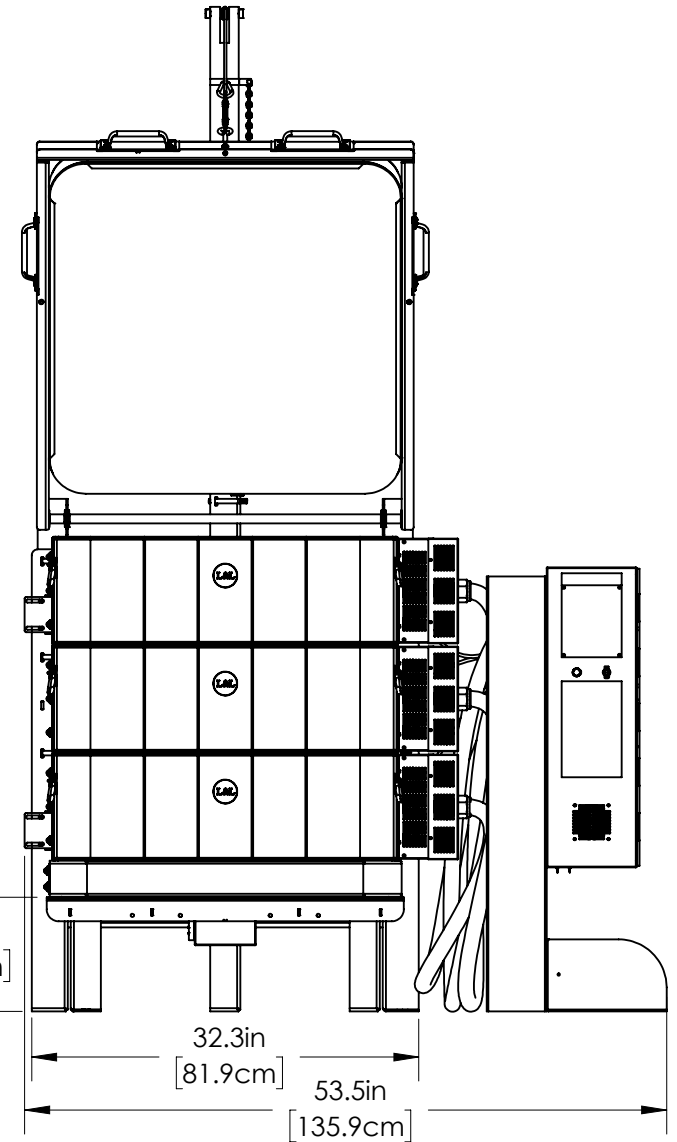
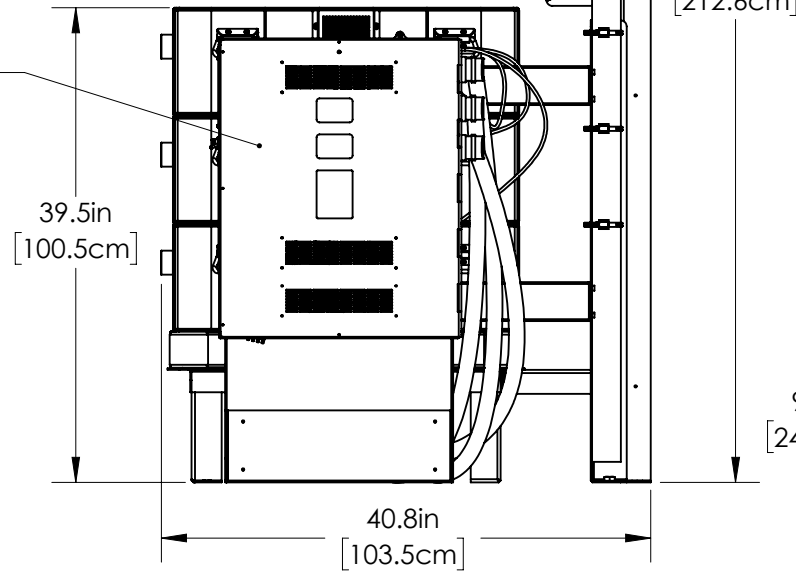
REV 0	SHEET OF 1/3	DRAWING NO. 300-000-20-3
----------	-----------------	-----------------------------

LID NOT SHOWN  
IN THIS VIEW



EXPANDABILITY: THIS MODEL CAN BE EXPANDED TO AN X2336 OR X2345 BY ADDING ONE OR TWO SECTIONS AND ADDING CORRESPONDING CIRCUITS IN THE CONTROL PANEL.

NOTE: STANDARD CONTROL PANEL SHOWN. NEMA1 PANEL OPTION IS LARGER



DRAWN BY  
S JL

DATE  
04/15/20

SCALE  
1:16

TITLE  
X2327-D (3" BRICK) DAVINCI GENERAL DIMENSIONS

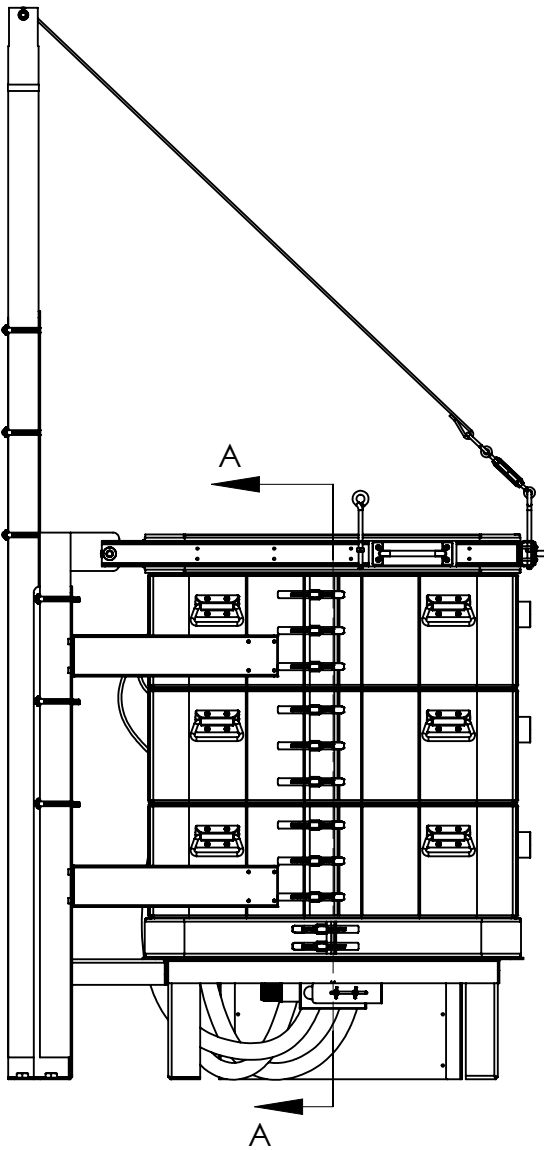
**LKilns**  
hotkilns.com

505 SHARPTOWN RD  
SWEDESBORO NJ 08085  
PH: (856) 294-0077  
FAX: (856) 294-0070

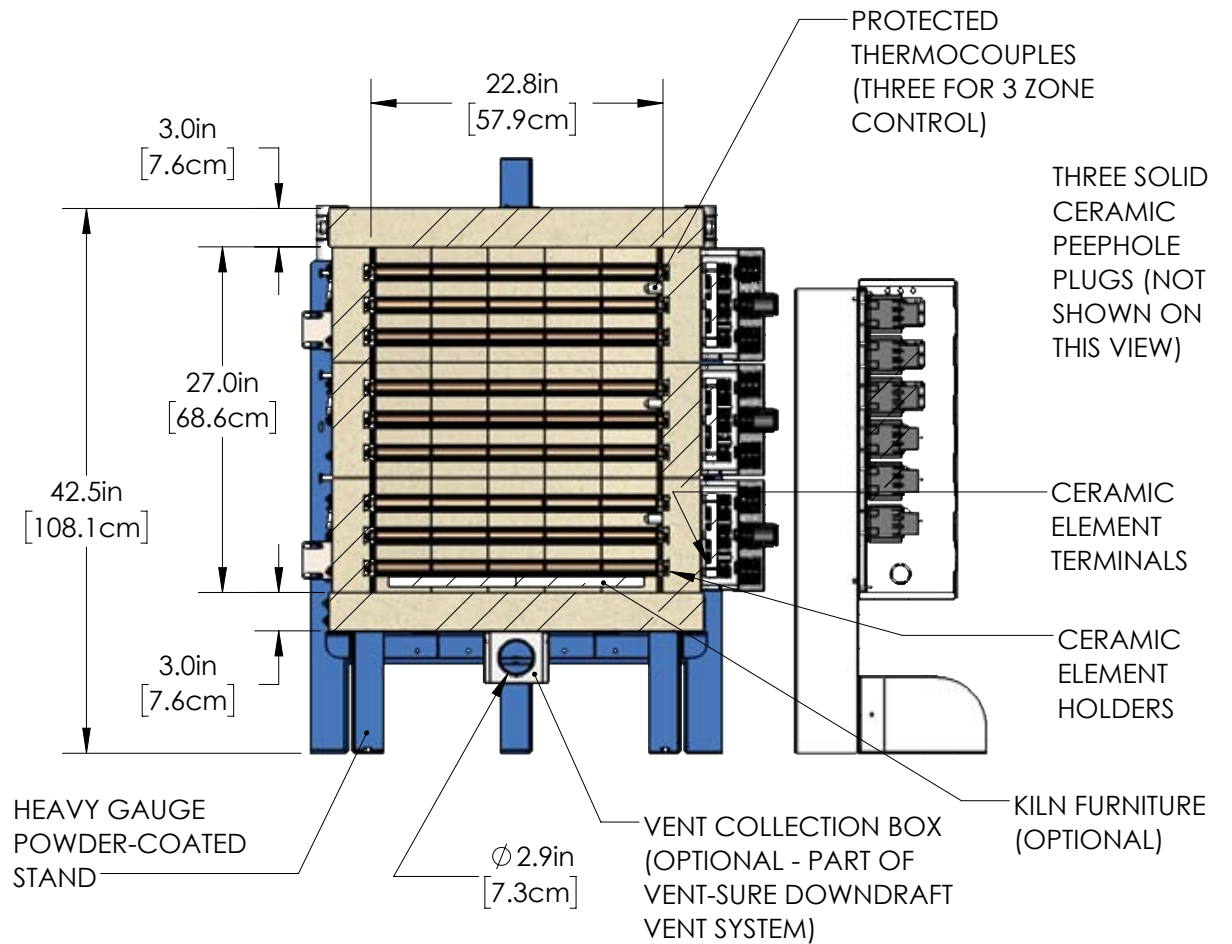
REV  
0

SHEET OF  
2/3

DRAWING NO.  
300-000-20-3



SECTION A-A



OPTIONAL FURNITURE KIT: (6) 20" [50.8cm] X 10" [25.4cm] RECTANGULAR SHELVES, (6) EACH 1/2", 1", 2", 4", 6" & 8" SQUARE POSTS

DRAWN BY SJL	DATE 04/15/20	SCALE 1:15	TITLE X2327-D (3" BRICK)DAVINCI GENERAL DIMENSIONS	<b>LKilns</b> hotkilns.com	505 SHARPTOWN RD SWEDESBORO NJ 08085 PH: (856) 294-0077 FAX: (856) 294-0070	REV <b>0</b>	SHEET OF 3/3	DRAWING NO. 300-000-20-3
-----------------	------------------	---------------	---	-------------------------------	--	-----------------	-----------------	-----------------------------