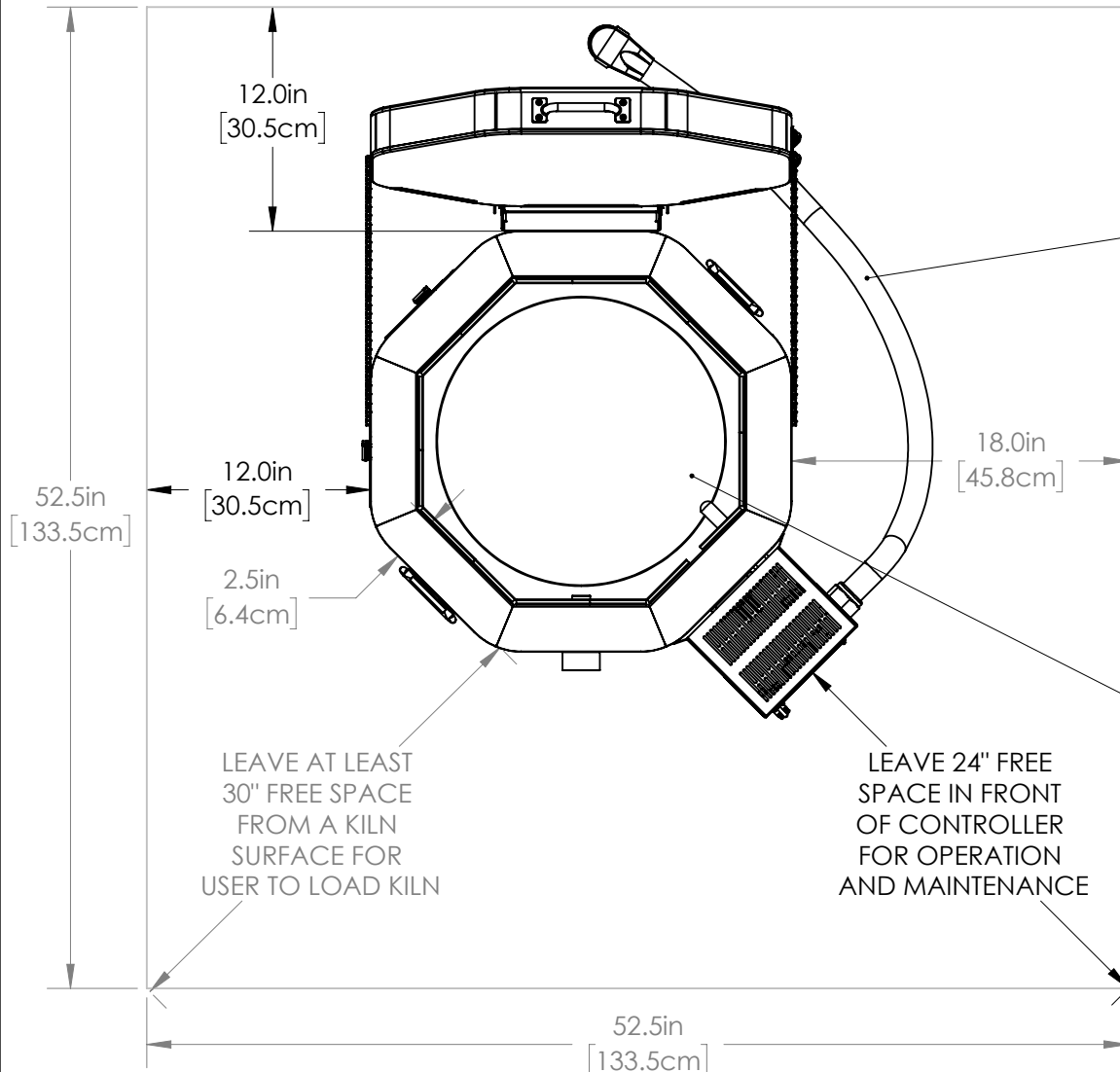


- WALL/KILN SPACING:** 12" [30.5cm] SPACING BETWEEN SIDES OF KILN AND WALLS OR OTHER OBJECTS. 18" [45.7cm] IS RECOMMENDED. LEAVE AT LEAST 18" [45.7cm] BETWEEN TWO KILNS.
- AMBIENT VENTILATION:** SEE CHART TO RIGHT FOR RATINGS. TO CALCULATE REQUIREMENTS, SEE hotkilns.com/calculate-kiln-room-ventilation.
- KILN VENTILATION:** L&L VENT-SURE KILN VENT RECOMMENDED FOR SAFETY AND LONGER ELEMENT LIFE. OPTIONAL CONTROL ALLOWS VENT TO BE TURNED ON AND OFF WITH CONTROL.

- OTHER INFO:** REFER TO INSTALLATION INSTRUCTIONS AND CAUTIONS INSTRUCTIONS FOR OTHER REQUIREMENTS AND SAFETY INFORMATION. REFER TO WIRING DIAGRAM FOR ELECTRICAL HOOKUP INFORMATION.
- MAX LOAD WEIGHT:** SEE hotkilns.com/load-weight.
- WEIGHT OF KILN:** 165 LBS, 75 KG

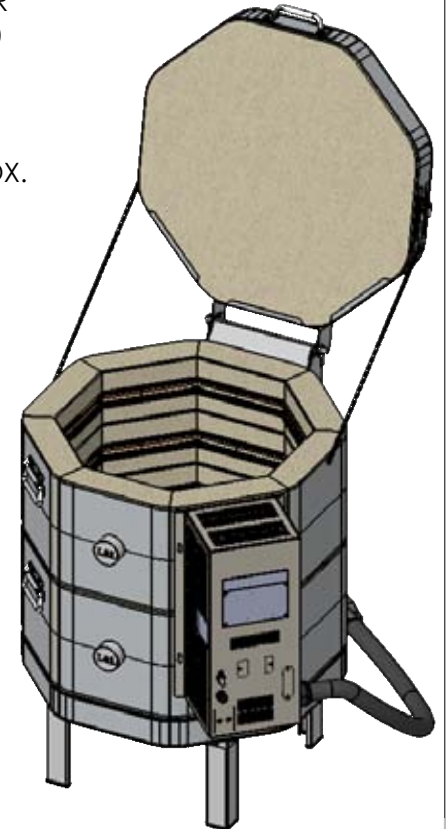
BTUS/ KILOJOULES PER HOUR NEEDED TO BE VENTED WITH AMBIENT ROOM VENTILATION (THIS IS IN ADDITION TO KILN VENTING):

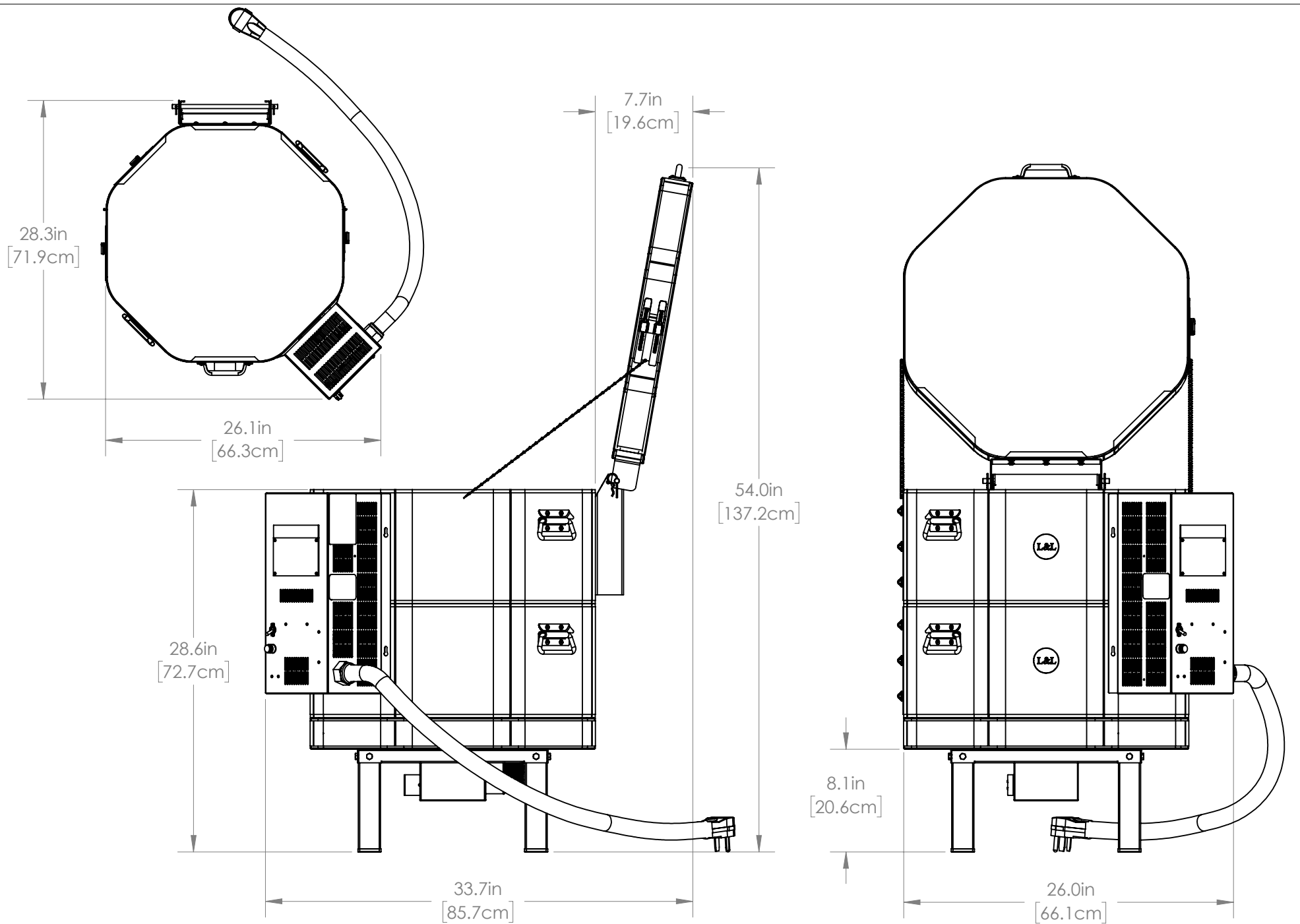
AT TEMP F	BTUS	AT TEMP C	KILOJOULES
1800F	7778	980C	8206
2000F	9094	1095C	9595
2232F	10739	1222C	11330
2350F	11624	1285C	12264



POWER CORD IS 6 FEET LONG: NEMA 10-30 FOR SINGLE PHASE OR 15-30 FOR THREE PHASE. ALTERNATELY KILN MAY BE HARD WIRED TO A FUSED DISCONNECT BOX. ALSO 6-50 AND 15-50 CORDS ARE AVAILABLE AS AN OPTION.

15.5" [39.3cm] KILN FURNITURE (OPTIONAL)





MADE FROM NEW	DRAWN BY DSL	DATE 04/01/20	SCALE 1:10	TITLE LB18 (2.5" BRICK) GENERAL DIMENSIONS		505 SHARPTOWN RD SWEDESBORO NJ 08085 PH: (856) 294-0077 FAX: (856) 294-0070	REV 0	SHEET OF 2/3	DRAWING NO. 215-000-25-2
------------------	-----------------	------------------	---------------	---	---	--	----------	-----------------	-----------------------------

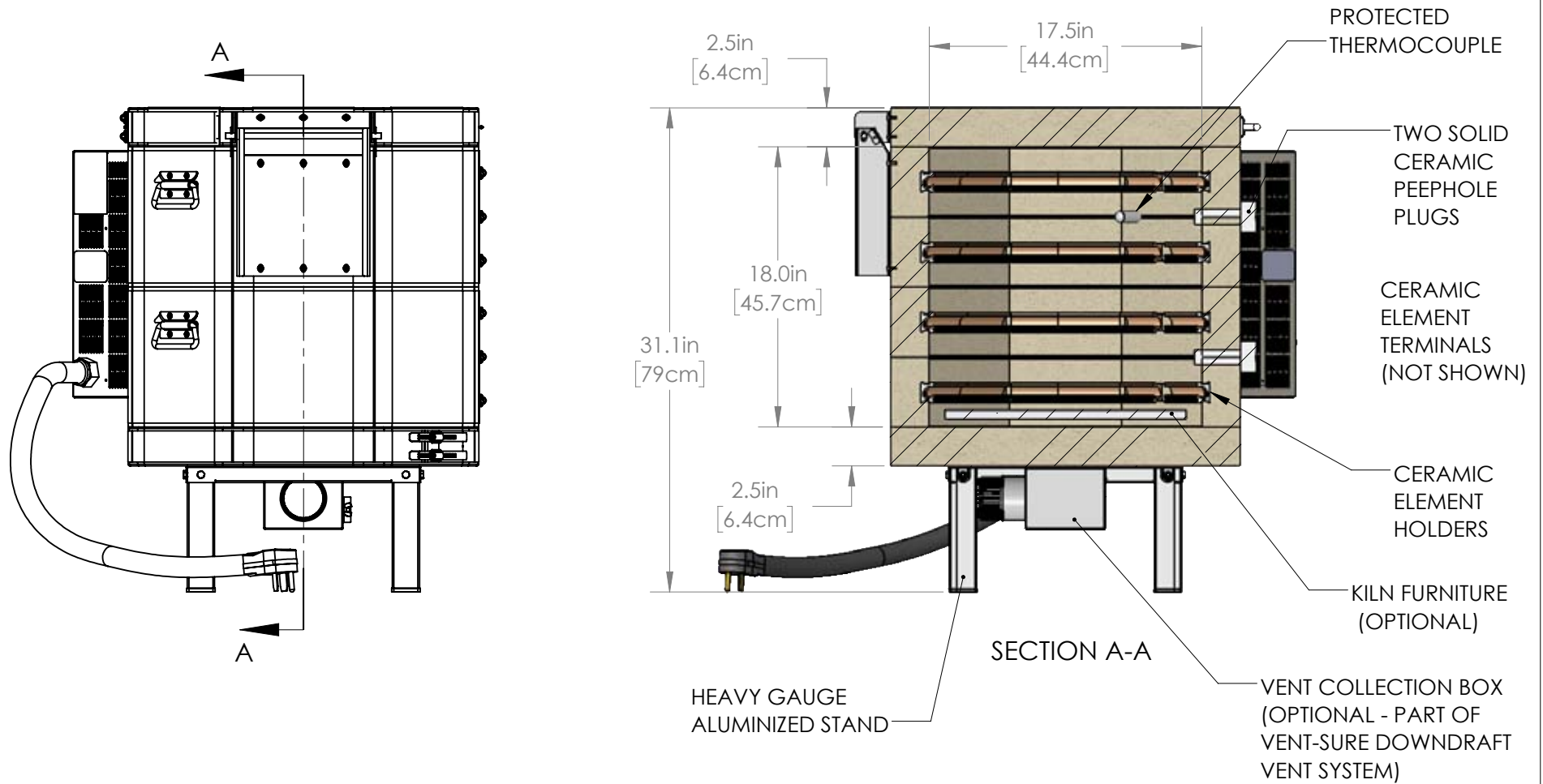
5

4

3

2

1



OPTIONAL FURNITURE KIT: (1) 15.5" [39.3CM] FULL ROUND SHELF, (4) HALF ROUND SHELVES, FOUR EACH 1", 2", 4", & 6" TRIANGULAR POSTS

MADE FROM NEW	DRAWN BY DSL	DATE 04/01/20	SCALE 1:10	TITLE LB18 (2.5" BRICK) GENERAL DIMENSIONS		505 SHARPTOWN RD SWEDSBORO NJ 08085 PH: (856) 294-0077 FAX: (856) 294-0070	REV 0	SHEET OF 3/3	DRAWING NO. 215-000-25-2
------------------	-----------------	------------------	---------------	---	---	---	----------	-----------------	-----------------------------