

1. **WALL/KILN SPACING:** 12" [30.5cm] SPACING BETWEEN SIDES OF KILN AND WALLS OR OTHER OBJECTS. 18" [45.7cm] IS RECOMMENDED. LEAVE AT LEAST 18" [45.7cm] BETWEEN TWO KILNS.
2. **AMBIENT VENTILATION:** SEE CHART TO RIGHT FOR RATINGS. TO CALCULATE REQUIREMENTS, SEE [hotkilns.com/calculate-kiln-room-ventilation](http://hotkilns.com/calculate-kiln-room-ventilation).
3. **KILN VENTILATION:** L&L VENT-SURE KILN VENT RECOMMENDED FOR SAFETY AND LONGER ELEMENT LIFE. OPTIONAL CONTROL ALLOWS VENT TO BE TURNED ON AND OFF WITH CONTROL.
4. **OTHER INFO:** REFER TO INSTALLATION INSTRUCTIONS AND CAUTIONS INSTRUCTIONS FOR OTHER REQUIREMENTS AND SAFETY INFORMATION. REFER TO WIRING DIAGRAM FOR ELECTRICAL HOOKUP INFORMATION.
5. **MAX LOAD WEIGHT:** SEE [hotkilns.com/load-weight](http://hotkilns.com/load-weight).
6. **WEIGHT OF KILN:** 445 LBS, 202 KG
7. **WEIGHT OF KILN WITHOUT DOOR:** 365 LBS [166 KG]
8. **WEIGHT OF DOOR:** 80 LBS [36 KG]

BTUS/ KILOJOULES PER HOUR NEEDED TO BE VENTED WITH AMBIENT ROOM VENTILATION (THIS IS IN ADDITION TO KILN VENTING):

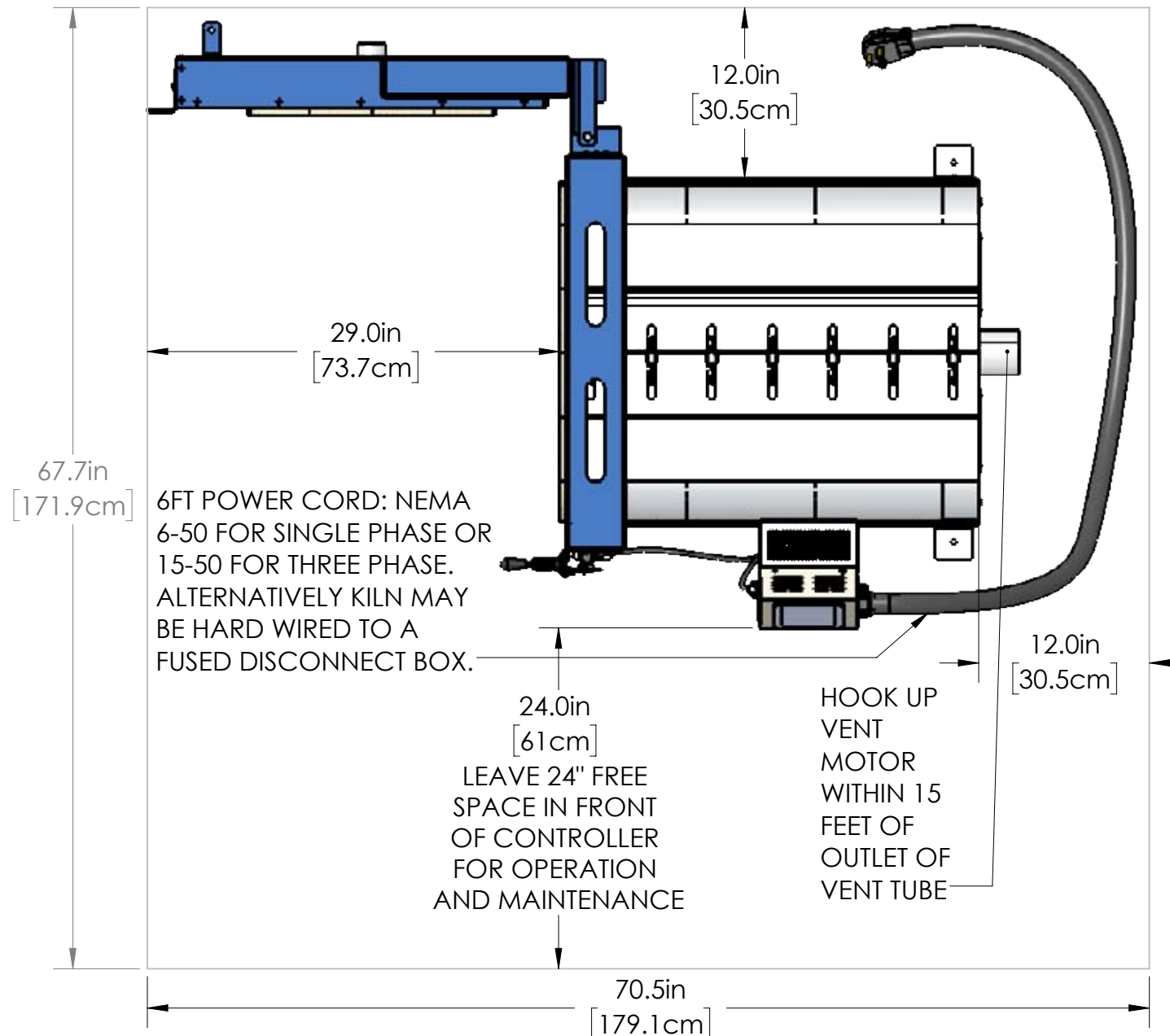
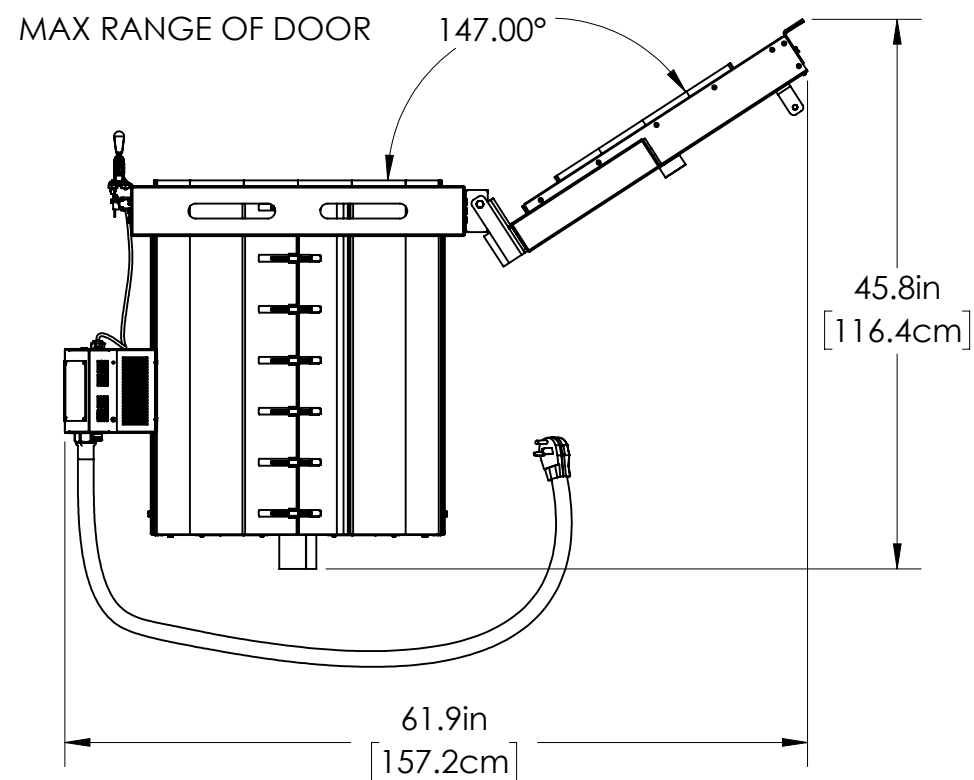
AT TEMP F	BTUS	AT TEMP C	KILOJOULES
1800F	8828	980C	9315
2000F	10305	1095C	10872
2232F	12147	1222C	12815
2350F	13136	1285C	13860

**TO MOVE KILN THROUGH A 30" DOOR:**

1. REMOVE VENT
2. REMOVE DOOR
3. REMOVE DOOR CLAMPS
4. REMOVE BOTTOM MOUNT BRACKETS OR CASTERS
5. TURN KILN SIDWAYS

**CLEARANCE NOTES:**

1. 12" [30.5cm] SPACING BETWEEN SIDES OF KILN AND WALLS OR OTHER OBJECTS. 18" [45.7cm] IS RECOMMENDED.
2. LEAVE AT LEAST 18" [45.7cm] BETWEEN TWO KILNS.



# CLEARANCES, LAYOUT & INSTALLATION

THE INFORMATION CONTAINED IN THIS DRAWING IS THE SOLE PROPERTY OF L&L KILN MFG INC. ANY REPRODUCTION IN PART OR AS A WHOLE WITHOUT THE WRITTEN PERMISSION OF L&L KILN MFG INC. IS PROHIBITED.

DRAWN BY: SJL  
 DATE: 04/15/20  
 SCALE: 1:11  
 TITLE: eFL1616 (3" BRICK) GENERAL DIMENSIONS

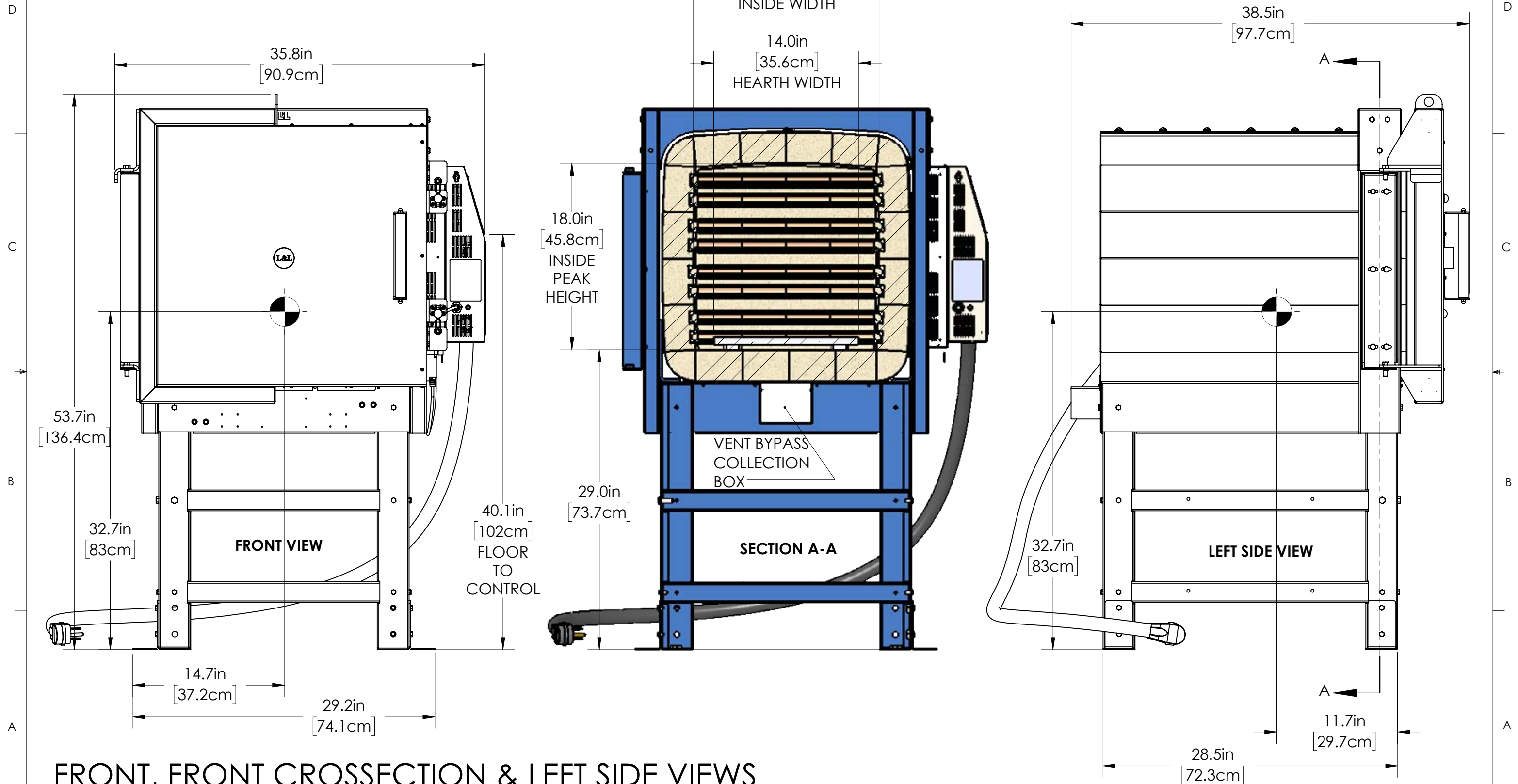
eFL1616 (3" BRICK) GENERAL DIMENSIONS



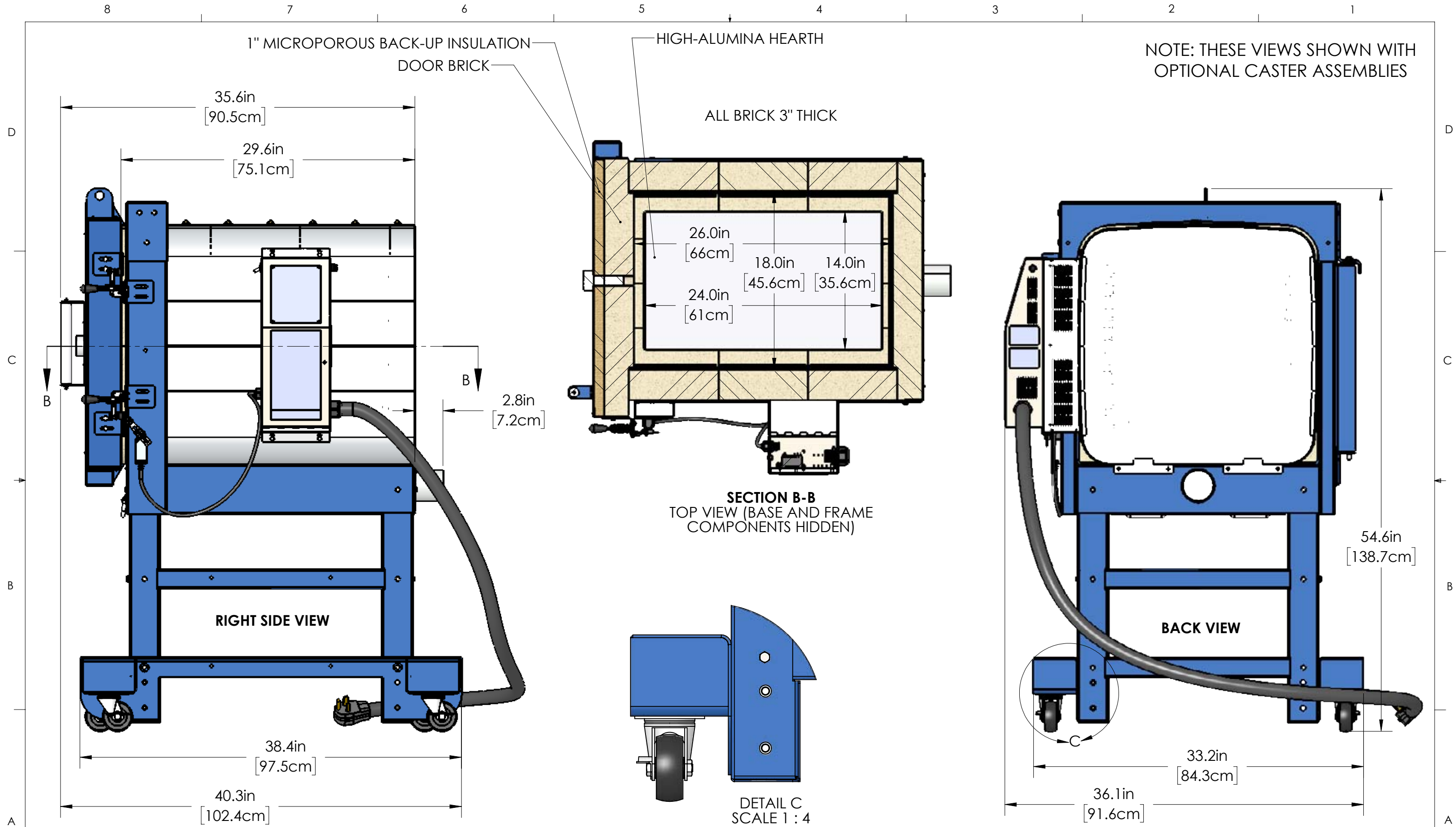
505 SHARPTOWN RD  
 SWEDESBORO NJ 08085  
 PH: (856) 294-0077  
 FAX: (856) 294-0070

REV: B  
 SHEET OF: 1/4  
 DRAWING NO.: 200-000-65

CENTER OF MASS IS SHOWN WITH ROUND CROSS SYMBOLS. KILN COULD TIP OVER IF CENTER OF MASS BECOMES VERTICAL ABOVE ONE EDGE OF KILN BASE. THIS COULD CAUSE SERIOUS INJURY.



# FRONT, FRONT CROSSECTION & LEFT SIDE VIEWS



# RIGHT SIDE, TOP CROSS-SECTION, AND BACK VIEWS

THE INFORMATION CONTAINED IN THIS DRAWING IS THE SOLE PROPERTY OF L&L KILN MFG INC. ANY REPRODUCTION IN PART OR AS A WHOLE WITHOUT THE WRITTEN PERMISSION OF L&L KILN MFG INC. IS PROHIBITED.

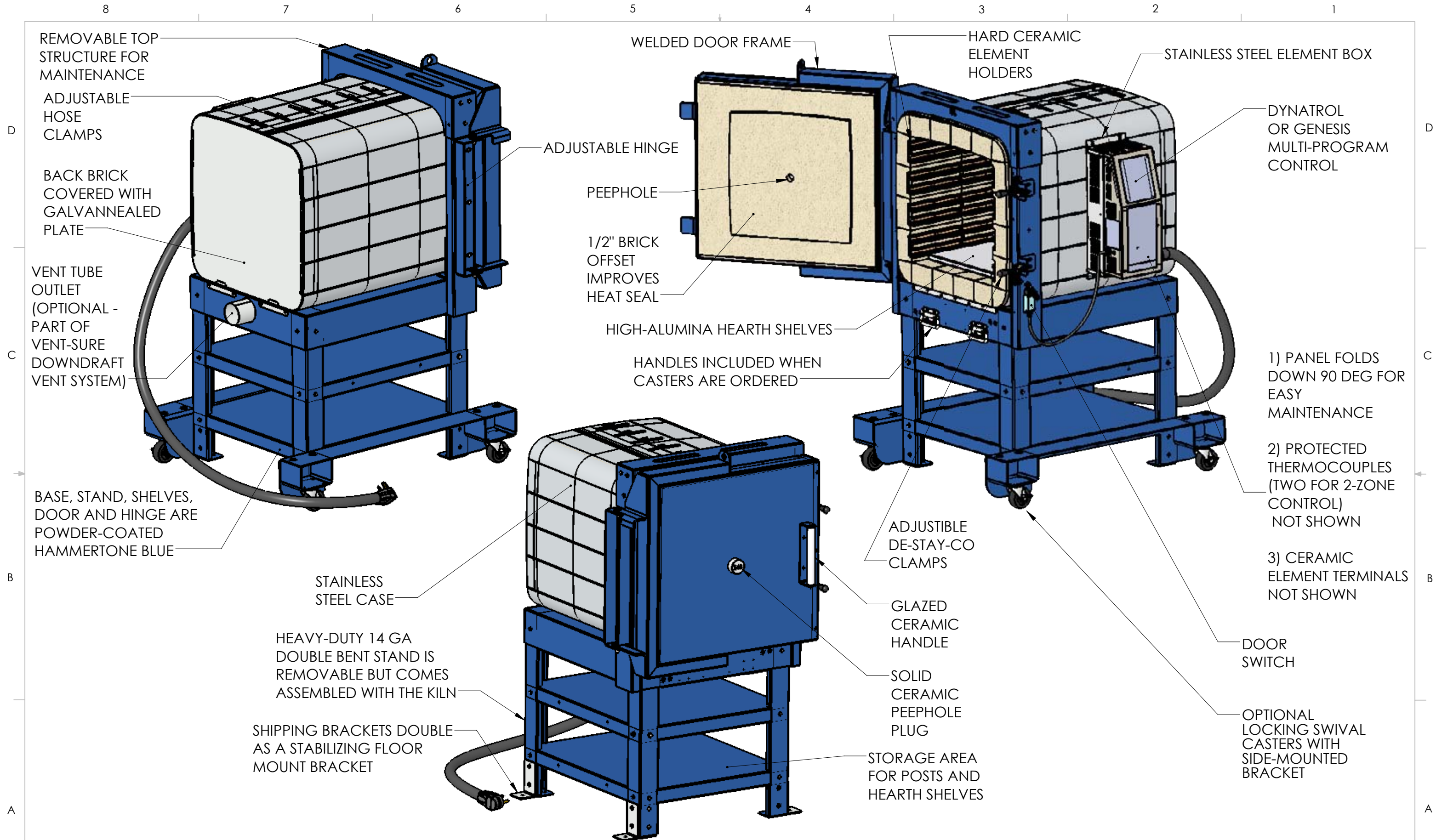
DRAWN BY: SJL  
DATE: 04/15/20  
SCALE: 1:9  
TITLE:

eFL1616 (3" BRICK) GENERAL DIMENSIONS



PH: (856) 294-0077  
FAX: (856) 294-0070

REV: B  
SHEET OF: 3/4  
DRAWING NO.: 200-000-65



## FEATURES & OPTIONS

OPTIONAL FURNITURE KIT: (2) 14" [35.5cm] X 24" [60.9cm] RECTANGULAR SHELVES, SIX EACH 1/2", 1", 2", 4", 6" AND 8" SQUARE POSTS

THE INFORMATION CONTAINED IN THIS DRAWING IS THE SOLE PROPERTY OF L&L KILN MFG INC. ANY REPRODUCTION IN PART OR AS A WHOLE WITHOUT THE WRITTEN PERMISSION OF L&L KILN MFG INC. IS PROHIBITED.

DRAWN BY  
SJL

DATE  
04/15/20

SCALE  
1:12

TITLE

eFL1616 (3" BRICK) GENERAL DIMENSIONS

**L&L Kilns**  
hotkilns.com

PH: (856) 294-0077  
FAX: (856) 294-0070

REV  
**B**

SHEET OF  
**4/4**

DRAWING NO.  
**200-000-65**