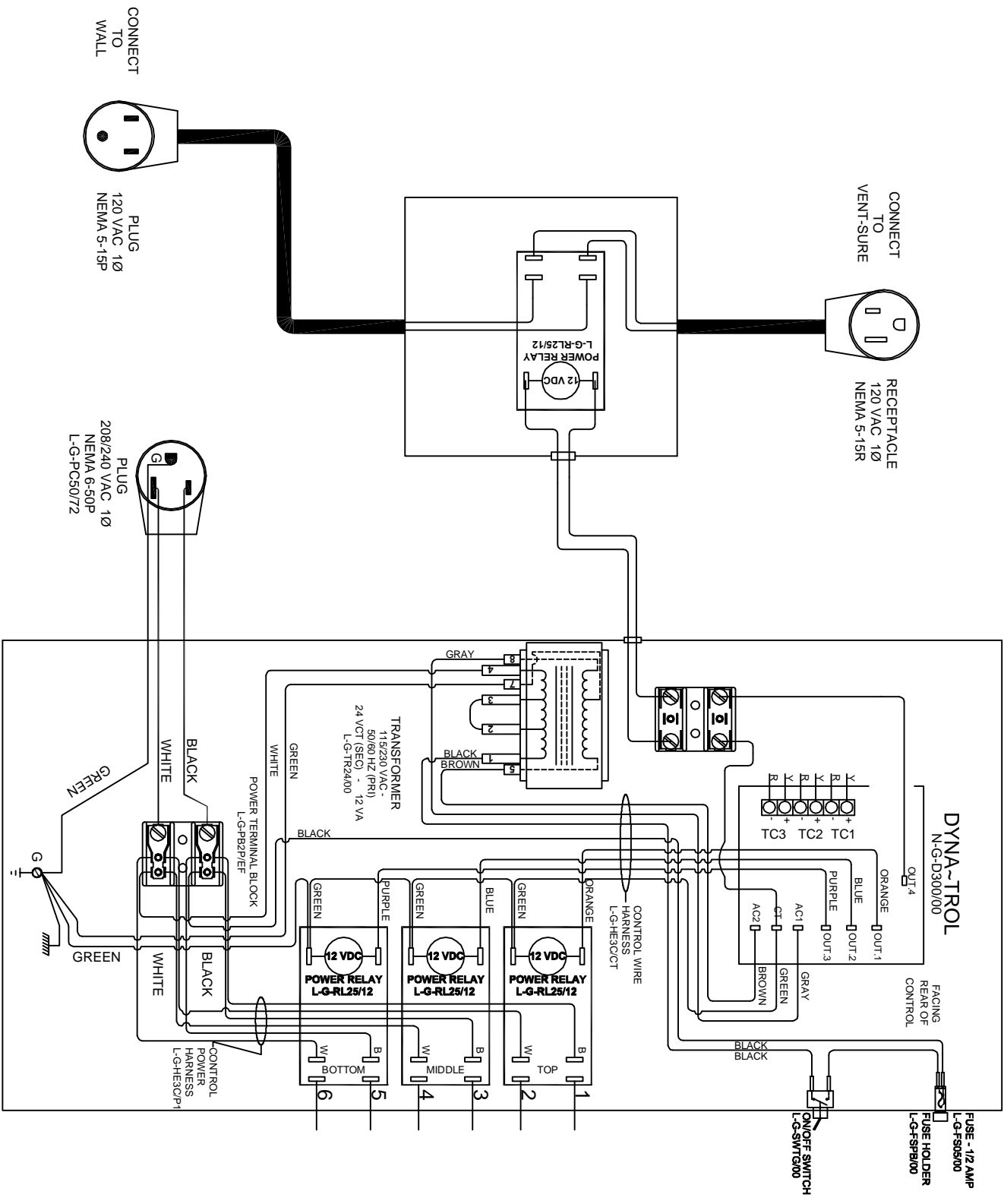


LOOKING INSIDE CONTROL PANEL



DRAWING NO. AH010716 SHEET OF 1/1 REV. 0

LINKINS
 805 SHARPTOWN RD.
 SHREVEPORT, LA 70606
 PHONE: (859) 284-0077
 FAX: (859) 284-0070

TITLE
**VENT-SURE CONTROL SYSTEM
 FOR WIRING TO DYNATROL**

SCALE
 1 = 8

DATE
 1/7/2016

DRAWN BY
 AM

FILE NAME
 \AH010716.dwg

REVISION

REVISION DESCRIPTION

MADE FROM
 \K290-151.dwg