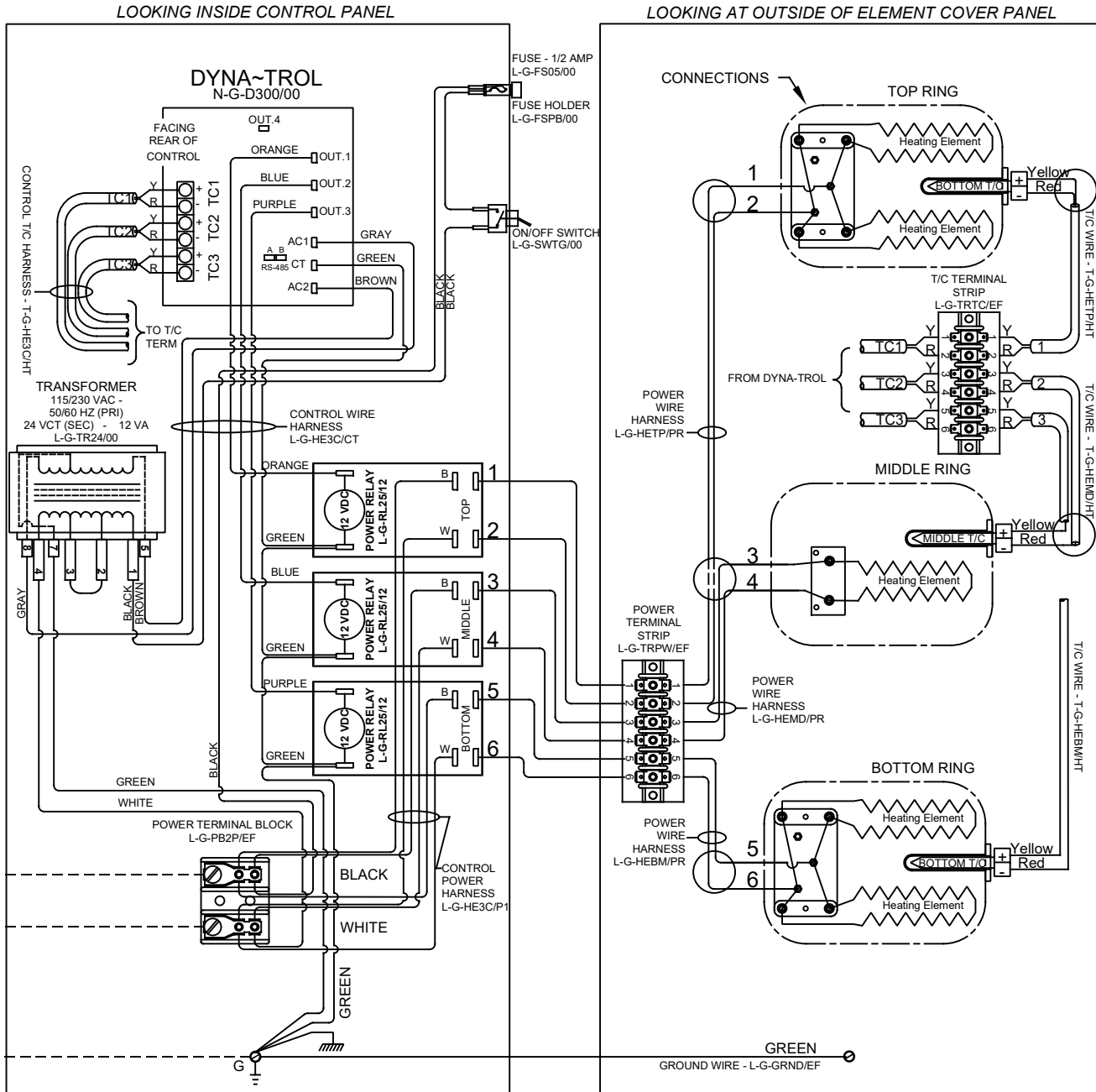


NOTES:

Control Wire:
16 AWG, 105°C
Power Wire:
10 AWG, 150°C

Industrial & commercial applications may require the installation of a LOCKOUT/TAGOUT device to prevent the Kiln from operating during maintenance.

This Kiln is recommended to be wired & connected to an approved U. L. & NEC configured receptacle controlled with a disconnect switch and properly fused according to the KW load specification listed on the Kiln Nameplate. L&L Kiln Mfg., Inc., also recommends fuses rather than circuit breakers to prevent nuisance tripping.



Model e18M-220			
VOLTAGE	220 / 1 / 50-60		
WATTS	8,000		
FULL LOAD AMPS	L1	L2	L3
	36.4	36.4	
POWER SUPPLY	FUSE	WIRE	
	50A	6 AWG	
ELEMENTS	QTY	OHMS	
	5	29.11	

SAFETY SWITCH BY CUSTOMER
Connect to
220 Volt, 2 Wire, Single Phase
50 or 60 Cycles.

DRAWING NO. E283-400	SHEET OF 1/1	REV 0	505 SHARPTOWN RD. SWEDESBORO, NJ 08085 PHONE: (856) 294-0077 FAX: (856) 294-0070	TITLE E18M SERIES EASY-FIRE KILN 220V 1 PHASE WIRING DIAGRAM	SCALE 1 = 8	DATE 10/08/19	DRAWN BY T.C.G.	FILE NAME E283-400.dwg	MADE FROM K286-158.dwg
-------------------------	-----------------	----------	---	--	----------------	------------------	--------------------	---------------------------	---------------------------