

Renaissance

K-12 Front-Loading Kilns

Front-Loading Kilns for K-12 Schools • Cone 6 • 5-1/2" Insulation

FEATURES

Temperature Rating: When ordered with the standard One-Touch™ Intuitive Kiln Control the Renaissance is limited to Cone 6 (2280°F, 1250°C) and comes with a 5-Year Limited Warranty. If ordered with the optional DynaTrol the Renaissance is rated at Cone 10 (2350°F, 1290°C) and comes with a 3-Year limited warranty.

Loading: Front-loading. Bottom is 30" inches from floor.

Construction: Solid welded heavy gauge (1/8") thick steel case with integrated stand. Feet include anchor points and leveling bolts.

Stand: Welded stand with slots for hearths and a metal drawer to hold posts from furniture kit. Helps keep the kiln area organized.

Case Finish: Powder coated attractive hammertone blue provides superior corrosion resistance.

Hinge: Adjustable hinge is mounted on left (not available with right-mounted hinge).

Insulation: 2-1/2" K23 firebrick with 2" mineral wool back up. (Bottom is solid 5" of brick).

Brick Coating: Reflective coating protects brick and reduces dusting.

Arched Roof for Strength: Three-Segment arched roof for strength. (Much stronger than a flat roof).

Element Holders: Hard ceramic element holders protect brick.

Elements: Heavy-duty. Elements are also located in the door for even heating in the entire chamber.

Contactors Panel: Mounted on left side. Mercury-free mechanical contactors with control relays. Branch fusing included. An on/off switch and control fuse are included. Direct electrical hook-up to terminal block.

Standard Control: Proprietary One-Touch™ Intuitive Kiln Control was designed for busy school teachers - One touch and you are ready to fire the bisque and glaze programs typically used in schools (also easy to adjust simple parameters like cone, delay, hold, heat-up and cool-down rates). You can even create four custom ramp/hold programs.

Control Mounting: Control is in separate box on flexible 6 foot cable.

Door Shut Off Switch is Standard: Shuts power off when door is opened.

Door Lock: Clasp allows door to be locked with padlock. Great for classrooms.

Door Plug & Gasket: Brick door has an inset plug and fiberglass rope gasket around door.

Thermocouples: Type K 8 gauge with ceramic protection tubes.

Peephole Plugs: Non-fragile solid ceramic with heat-locked head. 1" diameter full-view non-tapered. One per section.

Manual Vent: 4" square hole with plug at the top has a damper at bottom with holes for manual venting. This is great for cooling the kiln without opening the door. (Optional Vent-Sure is also available).

Warranty: Limited 5-year warranty. (See hotkilns.com/5-year-warranty.pdf). (Note: if DynaTrol option is ordered then standard 3-year warranty is in effect)

UL Listing: MET-us listed to UL499 standards.

OPTIONS

DynaTrol Option: Increases the cone rating to Cone 10. Adds three zone Dynamic Zone Control. DynaTrol with 4 Easy-Fire programs, 6 Vary-Fire programs, Pre-Heat, Delay, Program & Segment Review, and Diagnostics. Warranty is the standard 3-year warranty (See hotkilns.com/warranty.pdf)

Furniture Kits: See Dimension & Hearth Specifications.

Thermocouple Options: Type S platinum thermocouples (see hotkilns.com/tcs.pdf) or 1/4" diameter pyrocl metallic sheathed thermocouples (see hotkilns.com/tc-metallic.pdf).

Vent System: Vent-Sure downdraft vent (see hotkilns.com/vent.pdf)



Renaissance K-12 Front-Loading Kilns

Renaissance K-12 Front-Loading Kilns



Recommended for K12 School Classrooms

The world-class Renaissance kiln is made together with our European partner. It has some unique features such as the One-Touch™ Intuitive Kiln Control, 5-Year Limited Warranty, a system for storing shelves and posts to keep a classroom neat, the unique manual venting system for quicker cooling, cool case because of the extra insulation, and the door clasp for locking the door.



One-Touch™ Intuitive Kiln Control



505 Sharptown Road • Swedesboro, NJ 08085
Phone: 856.294.0077 • Fax: 856.294.0070
Email: sales@hotkilns.com • Web: www.hotkilns.com



L&L Kiln's patented hard ceramic element holders protect your kiln.

DIMENSION, WEIGHT & FURNITURE KIT SPECIFICATIONS

Model Number	Cubic Feet	Furniture Kit	Inside Dimensions	Outside Dimensions	Shipping Dimensions	Ship Weight Kiln (lbs)
R2427	9.0	(8) 10" x 22" shelves, 1 post kit	25" W x 22" D x 28-1/4" H	46" W x 35" D x 69" H	57" W x 53" D x 75" H	1020 lbs

Moving and installation: This will go through a standard 34-1/2" door that is at least 70" high. A pallet jack can lift kiln from either side. It must be moved on a flat surface.

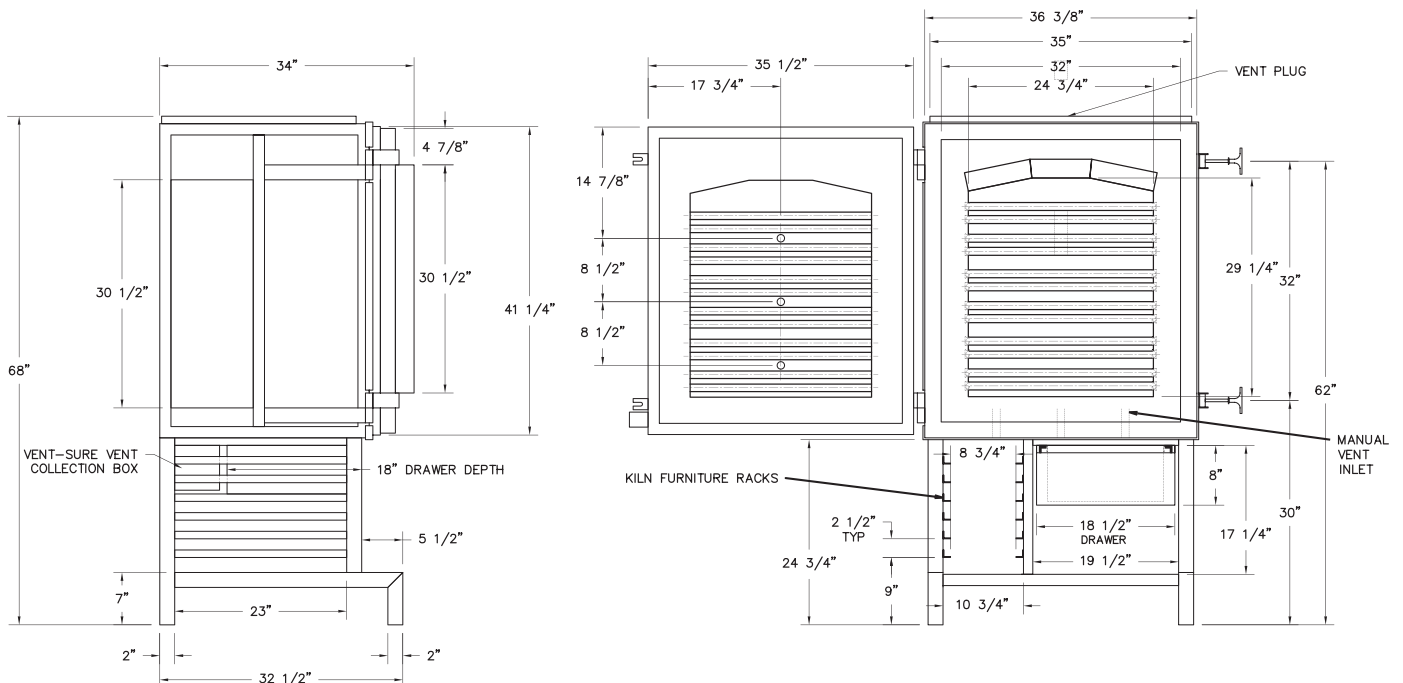
Furniture/Shelves Kit: Furniture kit includes the shelves mentioned above. The post kit includes six each 1/2", 1", 2", 4", 6" and 8" high 1-1/2" square corderite posts. Furniture kit includes heat-resistant gloves and 5 pounds of cone 10 kiln wash. (P/N: H-R-2427/00)

General Dimension Drawings: See hotkilns.com/GD-RENAISSANCE.pdf.

Element & Thermocouple Access: All element connections are on left side or door. No need to get access from back.



Furniture kit for a R2427.



Renaissance K-12 Front-Loading Kilns

Renaissance K-12 Front-Loading Kilns

ELECTRICAL SPECIFICATIONS

Model Number	Part Number	Volt/Phase	Watts	Amps	Wire Size	Fuse Size
R2427-240	K-R-2427/31	240/1P	16,500	69.0	2 ga	90 Amps
R2427-240-3P	K-R-2427/32	240/3P	16,500	39.9	6 ga	50 Amps
R2427-208	K-R-2427/21	208/1P	14,750	71.1	2 ga	90 Amps
R2427-208-3P	K-R-2427/22	208/3P	14,750	41.1	6 ga	60 Amps

UL Listing: All models are MET-us listed to UL499 standards.

Power connection: Direct connection to a terminal block in the Contactor Panel.