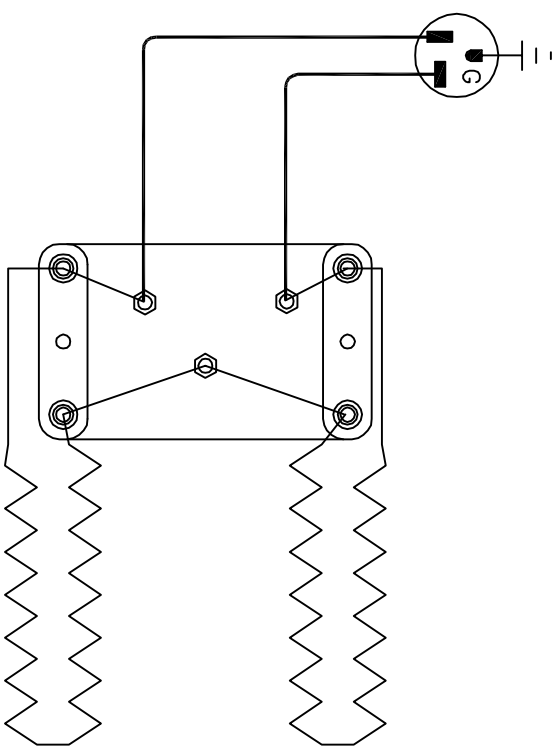


PARALLEL ELEMENT CONNECTION



SERIES ELEMENT CONNECTION

DRAWING NO. **KC03171** SHEET OF **1/1** REV. **0**

Lykins
 hoeklines.com
 805 SHARPTOWN RD.
 SPENCERTOWN, IN 46086
 PHONE: (859) 284-0077
 FAX: (859) 284-0070

TITLE
**PARALLEL VS. SERIES WIRING
 TWO ELEMENT KILN RINGS**

SCALE
1 = 2

DATE
03/28/17

DRAWN BY
C.H

REV.#	DATE	FILE NAME	REVISION DESCRIPTION	MADE FROM
0				KSH101001