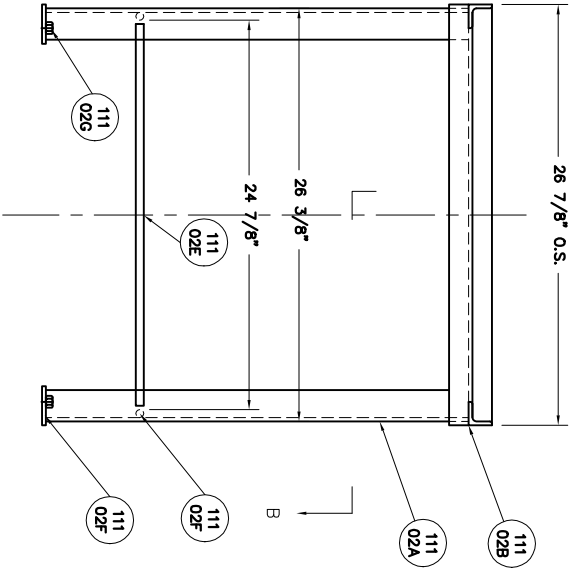


TOP SECTION B - B

B

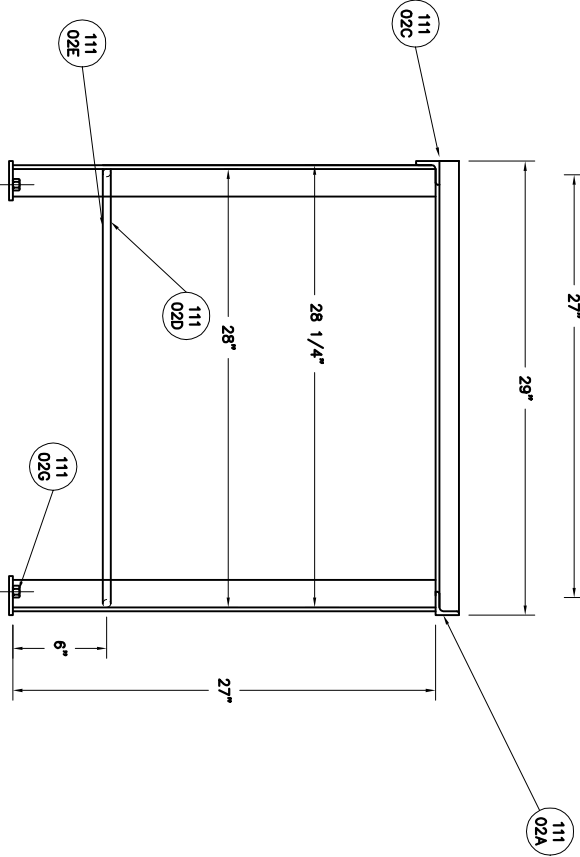
A



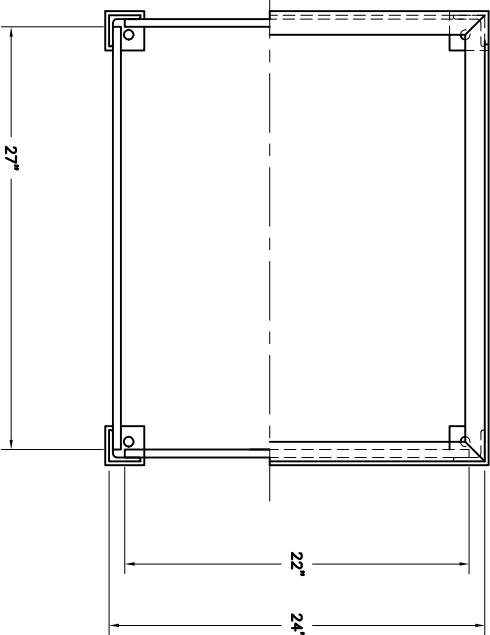
FRONT VIEW

A

B



SIDE SECTION A - A



PROJECT NO. GS1714 DWG NO. 150520.DWG	MODEL NO. LA\FLOOR\150152.DWG	DRAWN BY GDL	DATE 1/9/02	SCALE 1 = 8	TITLE MODEL GS1714 FLOOR STAND	REV. / DATE 1 - 2 - 3 -	DESIGNER L. A. GENERAL MANUFACTURING CO., INC.	PROJECT NO. P 1/1	DRAWING NO. 150520
--	---	------------------------	-----------------------	-----------------------	--	----------------------------------	--	-----------------------------	------------------------------