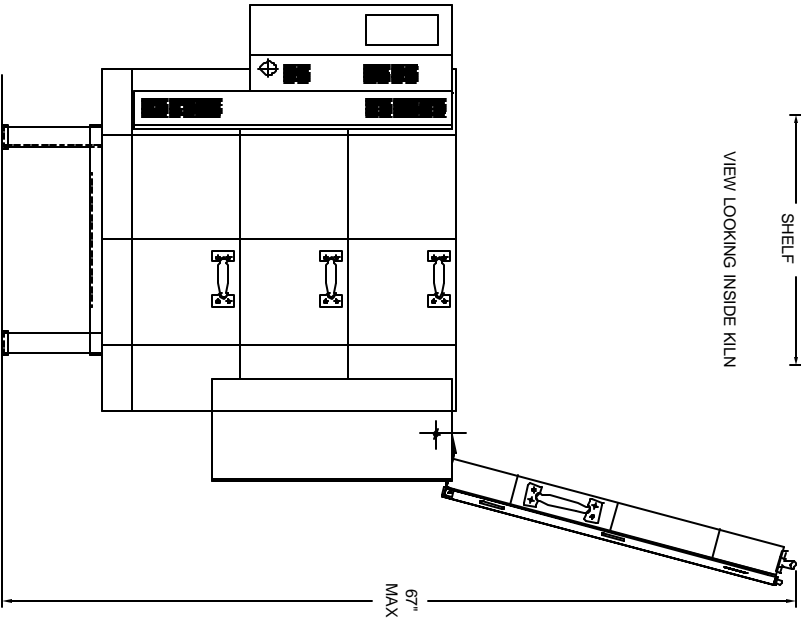
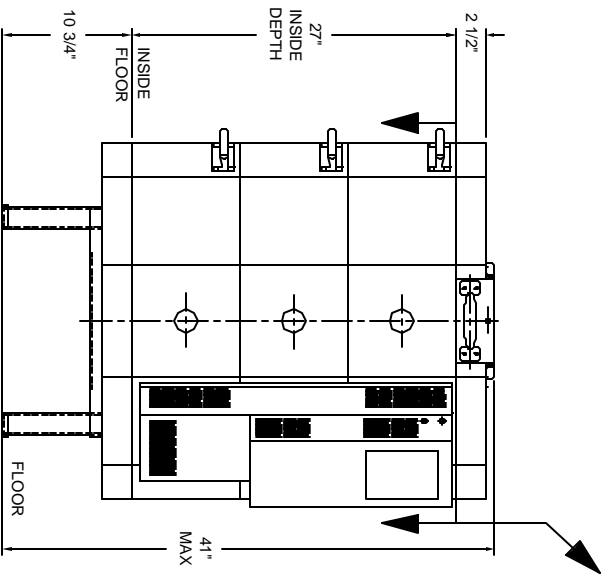


VIEW LOOKING INSIDE KILN



DRAWING NO.	REV	DATE	BY	CHKD	DATE	DESCRIPTION
K286-002	1/1					



9000 W. UNIVERSITY
BOULEVARD
HOUSTON, TX 77057

TITLE
**423T EASY FIRE
ASSEMBLY**

QTY
1 = 16

DATE
9/18/04

DRAWN BY
RLD

FILE NAME
L:\E\LLKILN\EASYFIRE
K286-002

APPROVAL
NEW