

XB3218 Series - Major Specifications

Cubic Feet: 10.0

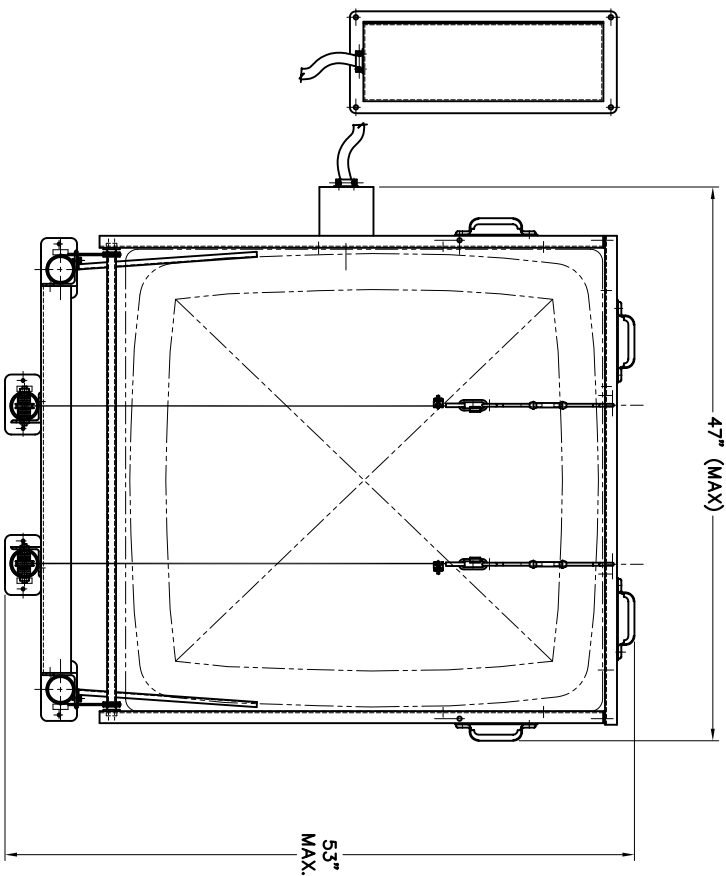
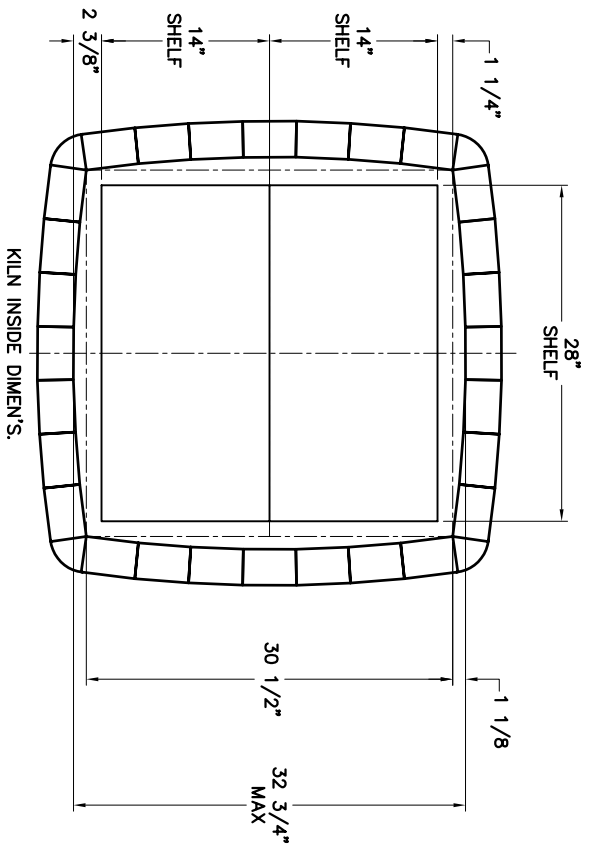
Ship Weight: 1180 lbs, with Furniture Kit: 1280 lbs

XB3218 (Standard KW)

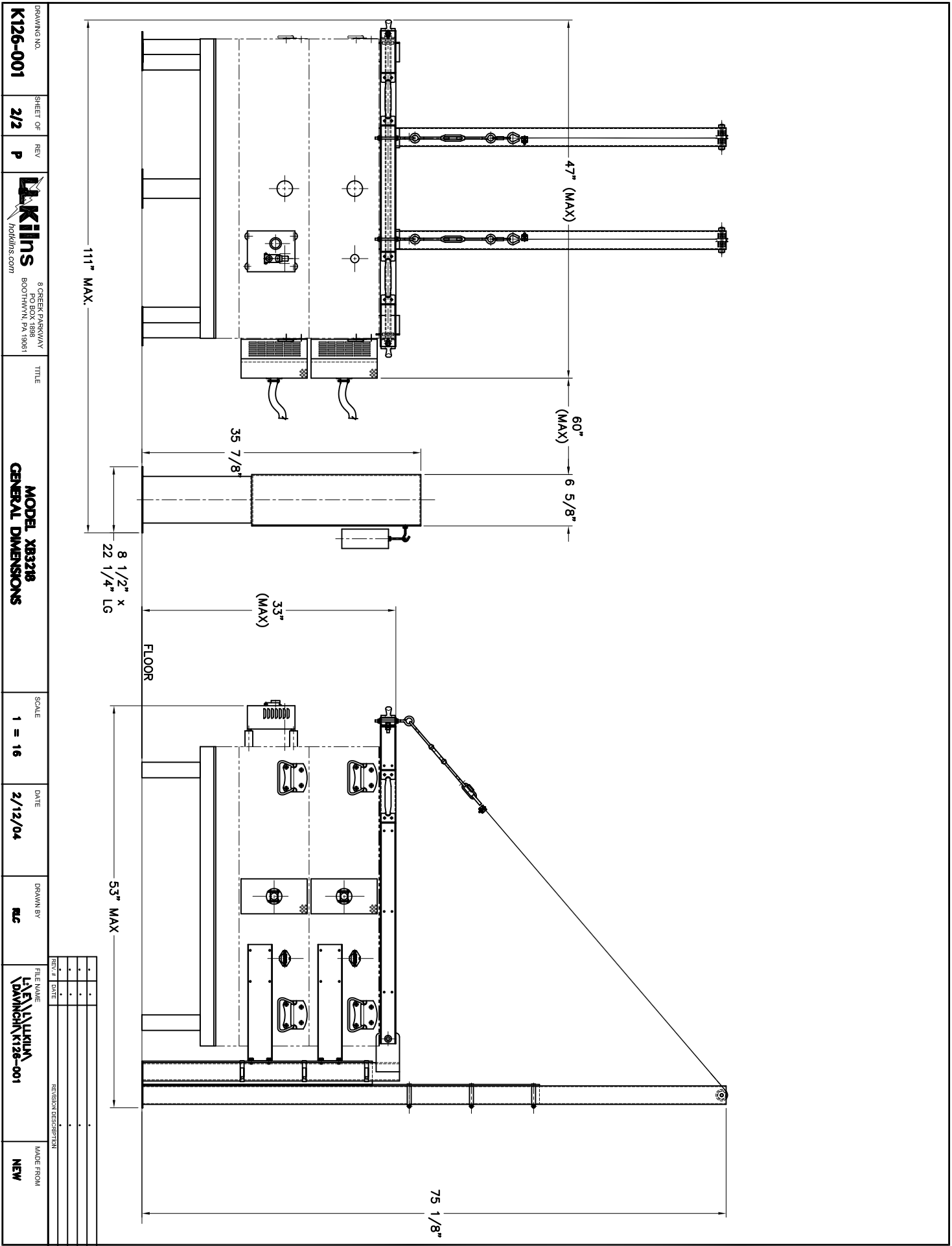
KW: 14.20	Full Load Amps	Fuse Amps	Hook-up Wire Size	UL Listing
240 Volts 1 Phase	59.2	80	3	Yes
240 Volts 3 Phase	51.2	70	4	Yes
208 Volts 1 Phase	68.3	90	2	Yes
208 Volts 3 Phase	59.1	80	3	Yes
220 Volts 1 Phase	64.5	80	3	Yes
380 Volts 3 Phase Wye				No
480 Volts 3 Phase				No

XB3218-PB (Standard KW with Powered Bottom)

KW: 18.93	Full Load Amps	Fuse Amps	Hook-up Wire Size	UL Listing
240 Volts 1 Phase	78.9	100	1	Yes
240 Volts 3 Phase	51.2	70	4	Yes
208 Volts 1 Phase	91	125	*1/0	Yes
208 Volts 3 Phase	59.1	80	3	Yes
220 Volts 1 Phase	86.0	125	*1/0	Yes
380 Volts 3 Phase Wye				No
480 Volts 3 Phase				No



DRAWING NO. K126-001	SHEET OF 1/2	REV P	 8 OBER PARKWAY PO BOX 1888 BOOTHWYN, PA 19061 hokilins.com	TITLE MODEL XB3218 GENERAL DIMENSIONS	SCALE 1 = 16	DATE 2/12/04	DRAWN BY RC	FILE NAME L:\E\LD\KILN\DAVINCI\K126-001	MADE FROM NEW
--------------------------------	------------------------	-----------------	---	---	------------------------	------------------------	-----------------------	--	-------------------------



DRAWING NO. **K126-001**

SHEET OF **2/2**

REV **P**

HOLKINS
holskins.com

8 OBER PARKWAY
PO BOX 1888
BOOTHWEN, PA 18061

TITLE
**MODEL XB3218
GENERAL DIMENSIONS**

SCALE
1 = 16

DATE
2/12/04

DRAWN BY
RJC

FILE NAME
L:\E\LLKILN\DAVINCI\K126-001

MADE FROM
NEW

111" MAX.

47" (MAX)

60" (MAX)

6 5/8"

35 7/8"

8 1/2" x
22 1/4" LG

FLOOR

33" (MAX)

53" MAX

75 1/8"

REV. #	DATE	REVISION DESCRIPTION