

# X2327 Series - Major Specifications

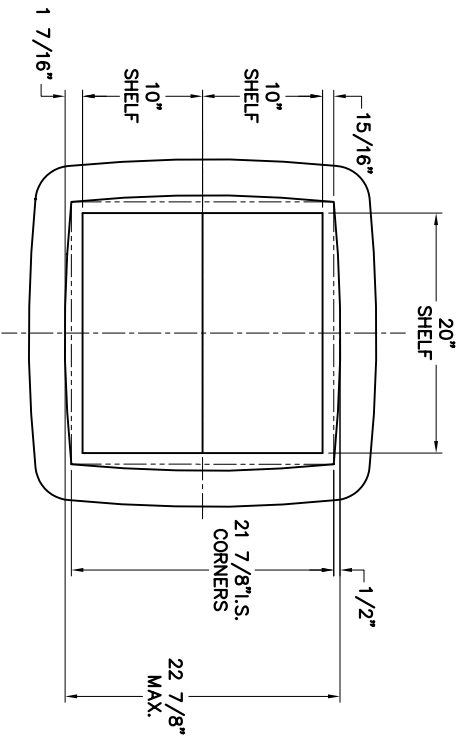
Cubic Feet: 8.1  
 Ship Weight: 900 lbs, with Furniture Kit: 965 lbs

## X2327 (Standard KW)

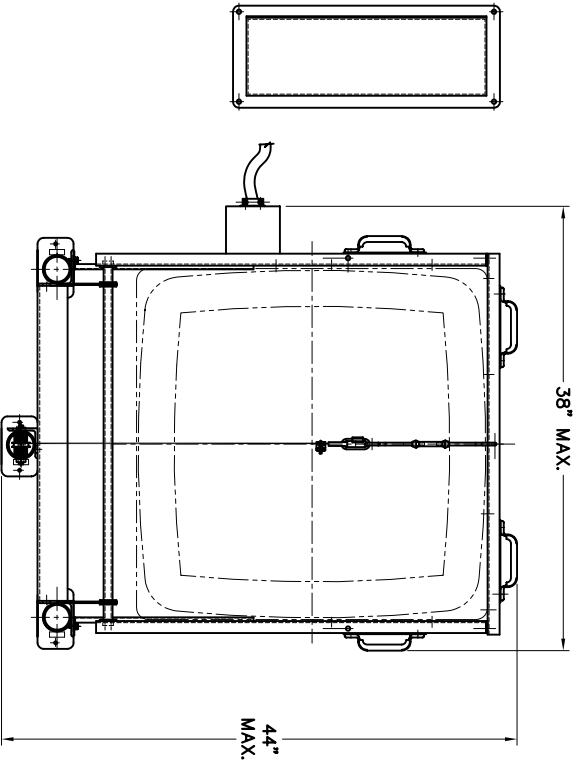
KW: 1.70	Full Load Amps	Fuse Amps	Hook-up Wire Size	UL Listing
240 Volts 1 Phase	48.8	60	6	Yes
240 Volts 3 Phase	28.2	40	8	Yes
208 Volts 1 Phase	56.3	70	4	Yes
208 Volts 3 Phase	32.5	40	8	Yes
220 Volts 1 Phase	53.2	70	4	Yes
380 Volts 3 Phase Wye				No
480 Volts 3 Phase				No

## XB2327 (XB High KW)

KW: 13.40	Full Load Amps	Fuse Amps	Hook-up Wire Size	UL Listing
240 Volts 1 Phase	55.8	70	4	No
240 Volts 3 Phase	32.2	40	8	No
208 Volts 1 Phase	64.4	80	3	No
208 Volts 3 Phase	37.2	50	6	No
220 Volts 1 Phase	60.9	80	3	No
380 Volts 3 Phase Wye				No
480 Volts 3 Phase				No



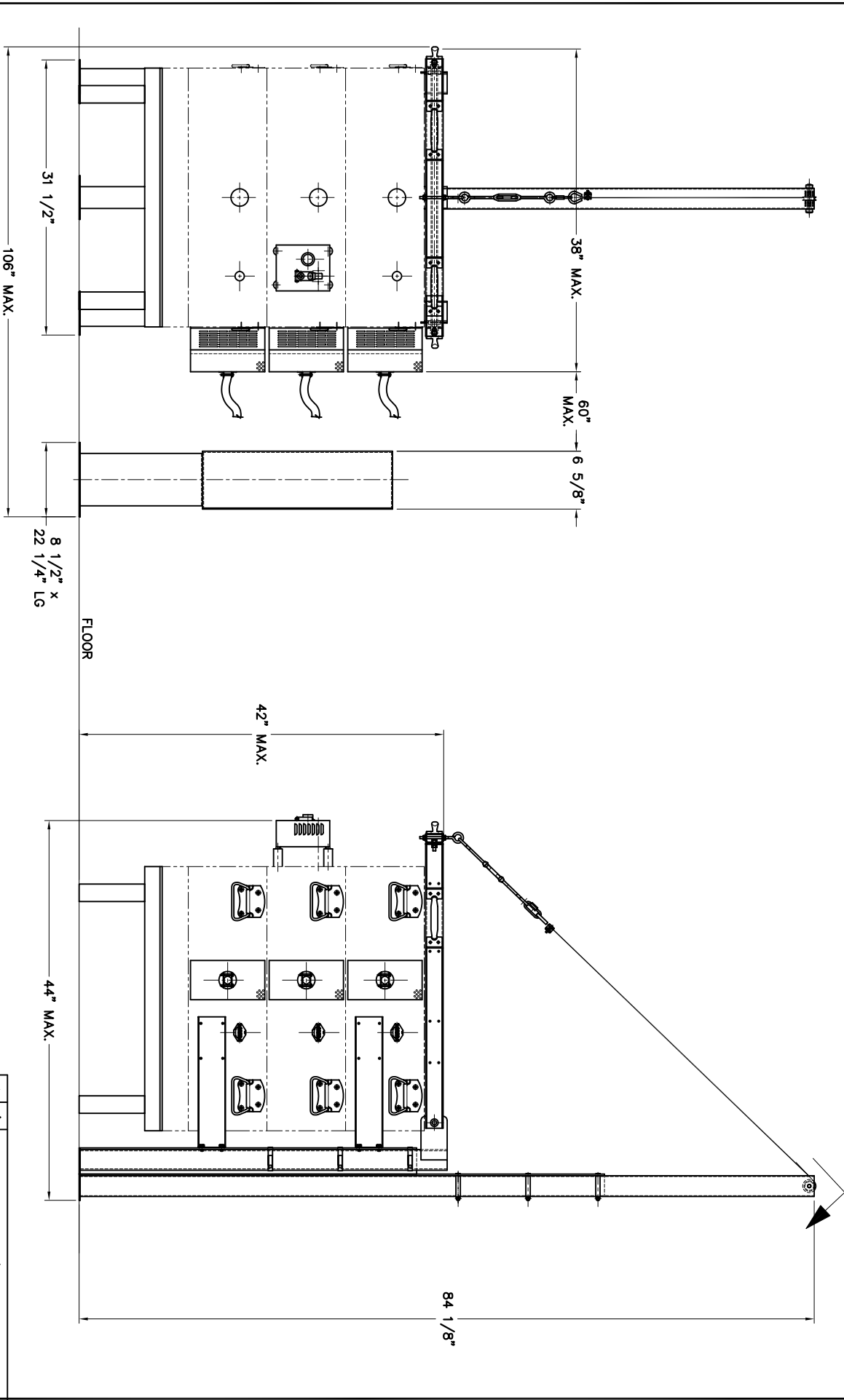
KILN INSIDE DIMENSIONS



DRAWING NO.	SHEET OF	REV	TITLE	SCALE	DATE	DRAWN BY	FILE NAME	MADE FROM
K113-001	1/2	P	MODEL X2327 GENERAL DIMENSIONS	1 = 16	2/12/04	RC	L:\E\LLKILN\DAVINCI\K113-001	NEW



REV.	DATE	REVISION DESCRIPTION
•	•	•
•	•	•
•	•	•



DRAWING NO.	SHEET OF	REV	TITLE	SCALE	DATE	DRAWN BY	FILE NAME	MADE FROM															
K113-001	2/2	P	MODEL X2327 GENERAL DIMENSIONS	1 = 16	2/12/04	RC	L:\E\LLKILN\DAVINCI\K113-001	NEW															
 <small>8 GREEN PARKWAY PO BOX 1888 BOOTHWYN, PA 19061</small>																							
<small>haskins.com</small>																							
<small>8 GREEN PARKWAY PO BOX 1888 BOOTHWYN, PA 19061</small>																							
			<table border="1"> <thead> <tr> <th>REV.</th> <th>DATE</th> <th>REVISION DESCRIPTION</th> </tr> </thead> <tbody> <tr> <td> </td> <td> </td> <td> </td> </tr> <tr> <td> </td> <td> </td> <td> </td> </tr> <tr> <td> </td> <td> </td> <td> </td> </tr> <tr> <td> </td> <td> </td> <td> </td> </tr> </tbody> </table>						REV.	DATE	REVISION DESCRIPTION												
REV.	DATE	REVISION DESCRIPTION																					