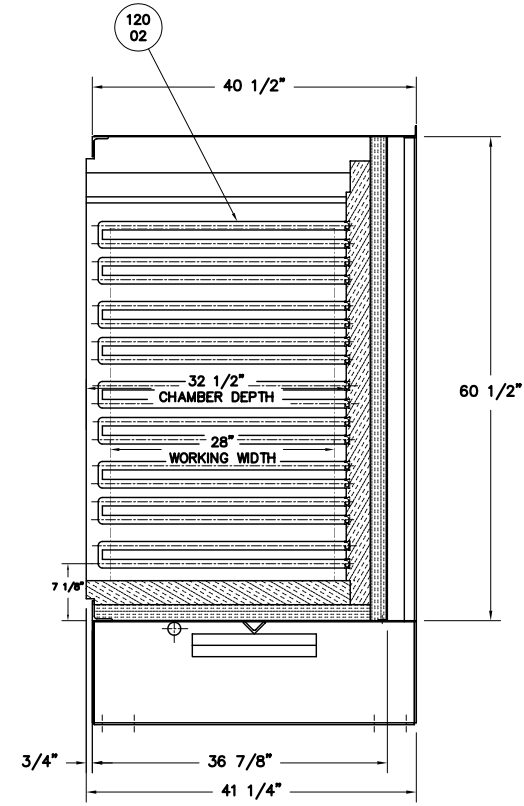
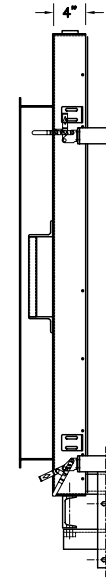
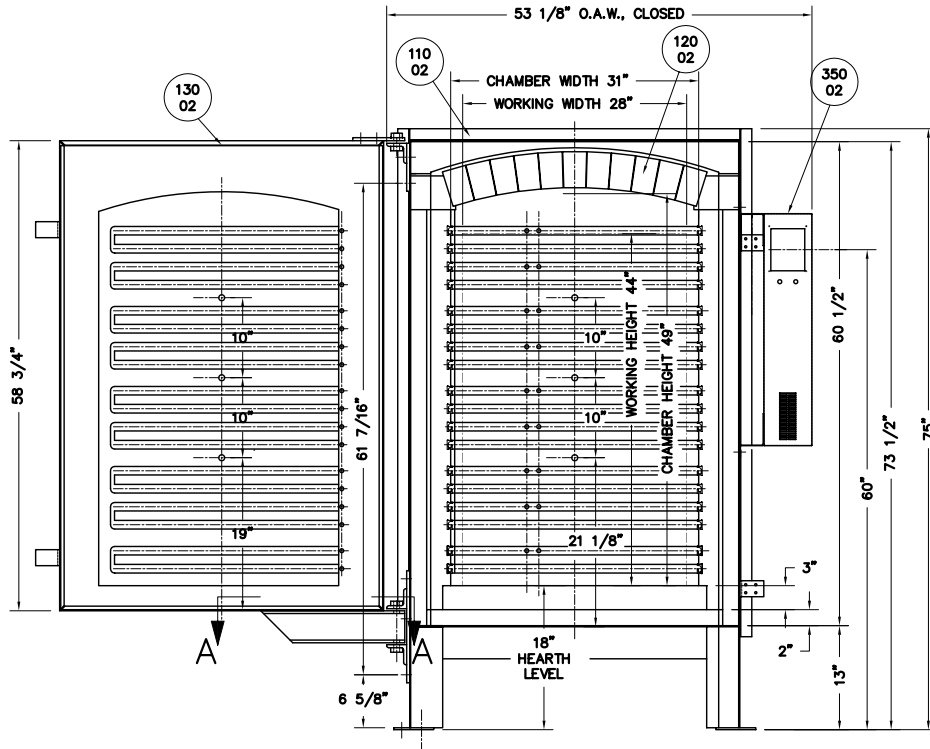


SECTION "A-A"



MANUFACTURED EXCLUSIVELY FOR L&L KILN MFG, INC., BY L&L SPECIAL FURNACE CO., INC.

DRAWING NO.	SHEET OF	REV	L & L SPECIAL FURNACE CO., INC.	TITLE	SCALE	DATE	DRAWN BY	FILE NAME	MADE FROM
100574	1/1	P	 20 KENT RD., P.O. BOX 2129 ASTON, PA 19014	MODEL EL3048 GENERAL DIMENSION AND ASSEMBLY	1 = 24	2/25/04	RLC	L:\P\EL\EL3048 \100574.dwg	SK031203.dwg

REV. #	DATE	REVISION DESCRIPTION
P	4.8.05	SUBJECT TO CORRECTION AFTER FIRST BUILD